

## INTRODUCTION

This Parts Book has been published for the special benefit of the operator to simplify the servicing of parts for the Perkins 4.203 Industrial Engine, commencing Engine Number 2600251.

As much detail as possible has been incorporated in this list, and if the procedure outlined below is followed, supplies will be obtained with the minimum of delay.

### SOURCE OF SUPPLY.

Parts are available from the following sources :—

1. The distributive organisations of manufacturers installing this engine as first equipment.
2. Approved Perkins Service Signholders and Overseas Distributors.
3. Recognised Motor Traders.

We are unable to deal with operators direct from the factory, and therefore supplies should be obtained by placing firm orders with one of the aforementioned sources of supply. To ensure you obtain the best results from your engine and to safeguard your own guarantee, **FIT ONLY GENUINE PERKINS PARTS**. These are readily obtainable throughout the world.

### INFORMATION REQUIRED.

Whenever parts are ordered it is essential that full information is given to the supplier to enable him to identify your requirements. Complete descriptions and part numbers should always be stated, and in case of parts required for an individual engine, the engine type and number with vehicle details must be included.

### SPECIAL PARTS.

This Book covers only standard 4.203 Industrial Engine parts and does not incorporate conversion or special parts supplied with engines. Supplements covering certain applications are published, but if a Supplement is not available, you should as in all instances quote full details outlined above to ensure you receive the correct parts.

---

#### IMPORTANT

Always quote Engine Number when ordering Parts

**FIT ONLY GENUINE PERKINS PARTS**

## INTRODUCTION (Continued)

### ENGINE CLASSIFICATION.

Four Type of Basic Engines are incorporated in this list as follows :—

- List No. 187 Engines with water pump mounted on timing gear housing front cover 13—7/16" crs. (Low position).
- List No. 188 Engines with water pump mounted on cylinder head at 16—1/16" crs. (high position.)
- List No. 189 Engines with water pump mounted on timing gear housing front cover at 13—7/16" crs. (low position.)
- List No. 190 Engines with water pump mounted on cylinder head at 16—1/16" crs. (high position.)

Parts which are peculiar to any one engine specification are marked with the list number.

### IMPORTANT NOTE.

All screw threads on this engine, except on certain items of proprietary equipment and the crankshaft, are unified series and American Pipe Series.

---

The items illustrated and described in the parts book are correct at the time of publication, but as developments are made, we reserve the right to alter or withdraw items without notice.

---

#### IMPORTANT

Always quote Engine Number when ordering Parts

**FIT ONLY GENUINE PERKINS PARTS**

## INDEX

SECTION 'A'	CYLINDER BLOCK	Page
	Including :— Liners ; plugs ; studs ; crankshaft rear end cover and water inlet connection.	5
SECTION 'B'	CYLINDER HEAD	
	Including :— Studs ; guides ; valves ; springs ; tappets ; combustion chamber cap ; lifting plate ; exhaust manifold ; water outlet body by pass connection and thermostat (For list No. 187 and 189 only).	9
SECTION 'C'	CRANKSHAFT	
	Including :— Starting dog ; flange ; pulley ; key ; main bearings ; connecting rods ; big end bearings ; pistons and rings.	13
SECTION 'D'	CYLINDER HEAD COVER	17
	Including :— Rocker shaft ; springs ; brackets and levers.	
SECTION 'E'	AIR INDUCTION SYSTEM	
	Including :— Air filter, induction manifold and cold starting heater.	19
SECTION 'F'	TIMING GEAR	
	Including :— Camshaft ; gears ; hubs ; housing ; front cover ; inspection cover and hydraulic pump facing cover.	21
SECTION 'G'	LUBRICATING OIL SYSTEM	
	Including :— Sump ; strainer ; dipstick ; suction pipe ; pump ; delivery pipes ; filter ; pressure feed piping and idler gear spray pipe.	25
SECTION 'H'	WATER PUMP	
	Including :— Mounting plate on timing gear housing front cover (For list Nos. 187 and 189 only) Mounting plate on cylinder head and thermostat (For list Nos. 188 and 190 only).	31
SECTION 'I'	FUEL INJECTION EQUIPMENT	
	Including :— Lift pump ; filter and piping ; injection pump ; injection pipes and atomisers.	35
SECTION 'J'	ELECTRICAL EQUIPMENT	
	Including :— Dynamo ; pulley ; belt ; support bracket and adjusting lever.	43
SECTION 'K'	JOINTS & GASKETS	45
	NUMERICAL INDEX	47

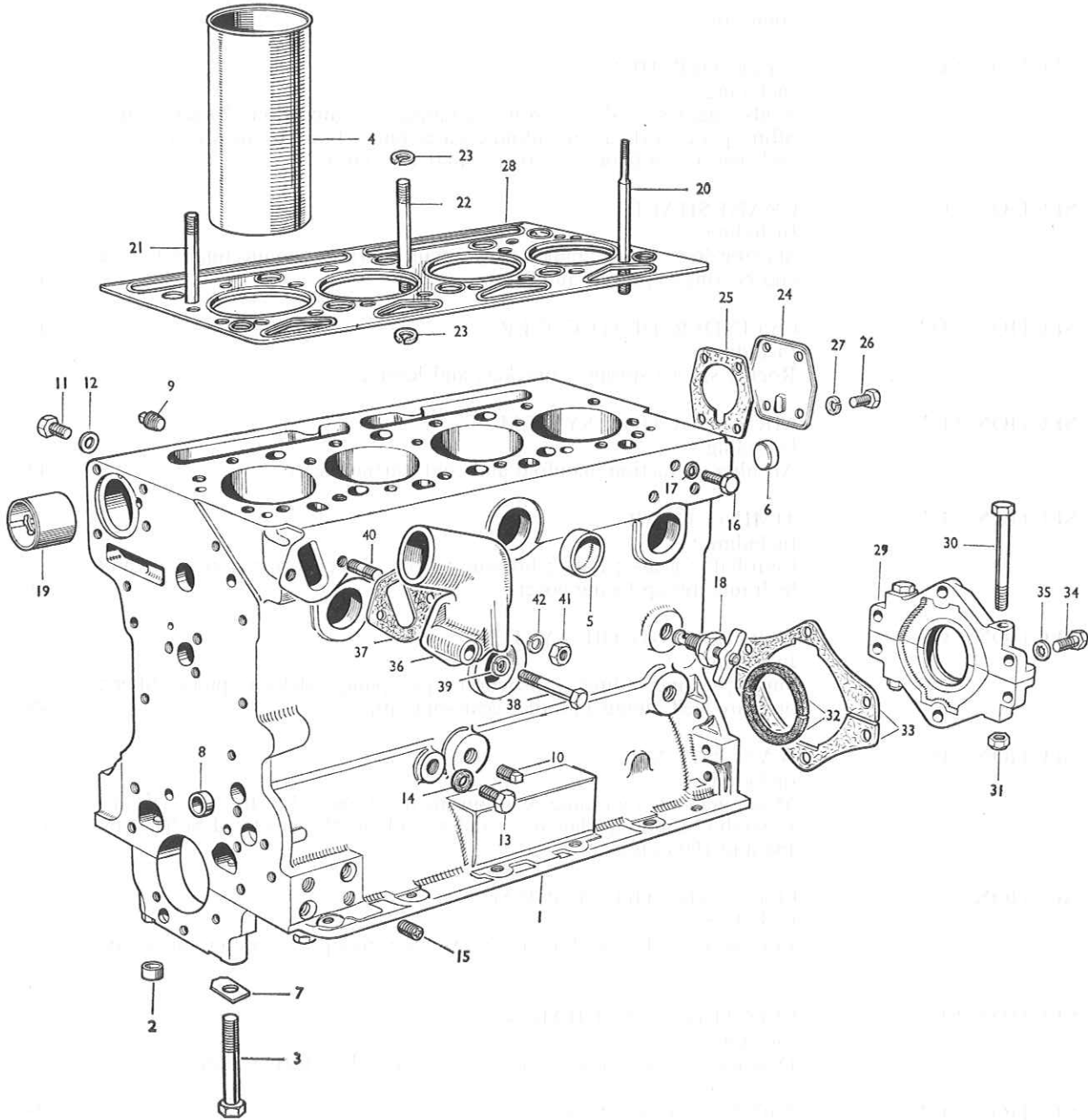
**IMPORTANT**

Always quote Engine Number when ordering Parts

**FIT ONLY GENUINE PERKINS PARTS**

# PLATE "A"

INDEX



SECTION "A"

# Cylinder Block

Plate Ref.	Part No.	Description	Qty.	Remarks
1	57563	CYLINDER BLOCK (ASSEMBLY)	1	
		Including:—		
		Cap, crankshaft main bearing—Front	...	} Not Serviced
		Cap, crankshaft main bearing—Inter.	...	
		Cap, crankshaft main bearing—Middle	...	
		Cap, crankshaft main bearing—Rear	...	
2	0870001	Thimble, crankshaft main bearing cap to cylinder block	10	
3	0745105	Setscrew, crankshaft main bearing cap to cylinder block	10	
4	31358308	Liner, cylinder block	4	
5	0650710	Plug, cylinder block water jacket	9	
6		Plug, cylinder block water rail	...	No longer fitted
7	0921108	Tab-washer, crankshaft main bearing cap setscrew	10	
	33117118	Washer, crankshaft main bearing cap shim	10	Eng. No. 2603772 onwards
8	0650566	Plug, cylinder block pressure rail—Front and Rear	2	
9	0650593	Plug, cylinder block—alt. drain cock position R.H. side of block	1	
10	0650594	Plug, cylinder block—lub. oil pressure switch boss	2	
11	0746251	Plug, cylinder block—alternative dynamo position	2	
12	0920106	Washer, cylinder block—alterative dynamo position plug	2	
13	0746451	Plug, cylinder block—exhauster feed pipe hole	1	
14	0920109	Washer, cylinder block—exhauster feed pipe hole plug	1	
15	0650738	Plug, cylinder block—bearer facings	4	
16	0746451	Plug, cylinder block—top hole fuel filter facing	1	} Eng. No. 2601108 onwards
17	0920109	Washer, cylinder block—top hole fuel filter facing plug	1	
18	31419	Cock, cylinder block drain	1	
19	31134119	Bush, cylinder block—No. 1 camshaft bearing	1	
	32754411	Stud, cylinder block to cylinder head—long (also secures atomisers)	8	} Prior to Eng. No. 2606694
	0826624	Stud, cylinder block to cylinder head	10	
	0826622	Stud, cylinder block to cylinder head	1	
20	32754414	Stud, cylinder block to cylinder head—Long (also secures atomisers)	8	} Eng. No. 2606694 onwards
21	32524131	Stud, cylinder block to cylinder head	10	
22	32524128	Stud, cylinder block to cylinder head—Long	1	
23	2726194	Gripring, cylinder block to cylinder head stud	2	
24	0240765	COVER, CAMSHAFT END	1	
25	0490699	Joint, camshaft end cover to cylinder block	1	
26	0746253	Setscrew, camshaft end cover to cylinder block	4	
27	0920053	Washer, camshaft end cover to cylinder block setscrew	4	
28	36812125	Gasket, cylinder head (Replaces 36812113)	1	

**IMPORTANT**

Always quote Engine Number when ordering Parts

**FIT ONLY GENUINE PERKINS PARTS**

SECTION "A" Continued

**Cylinder Block**

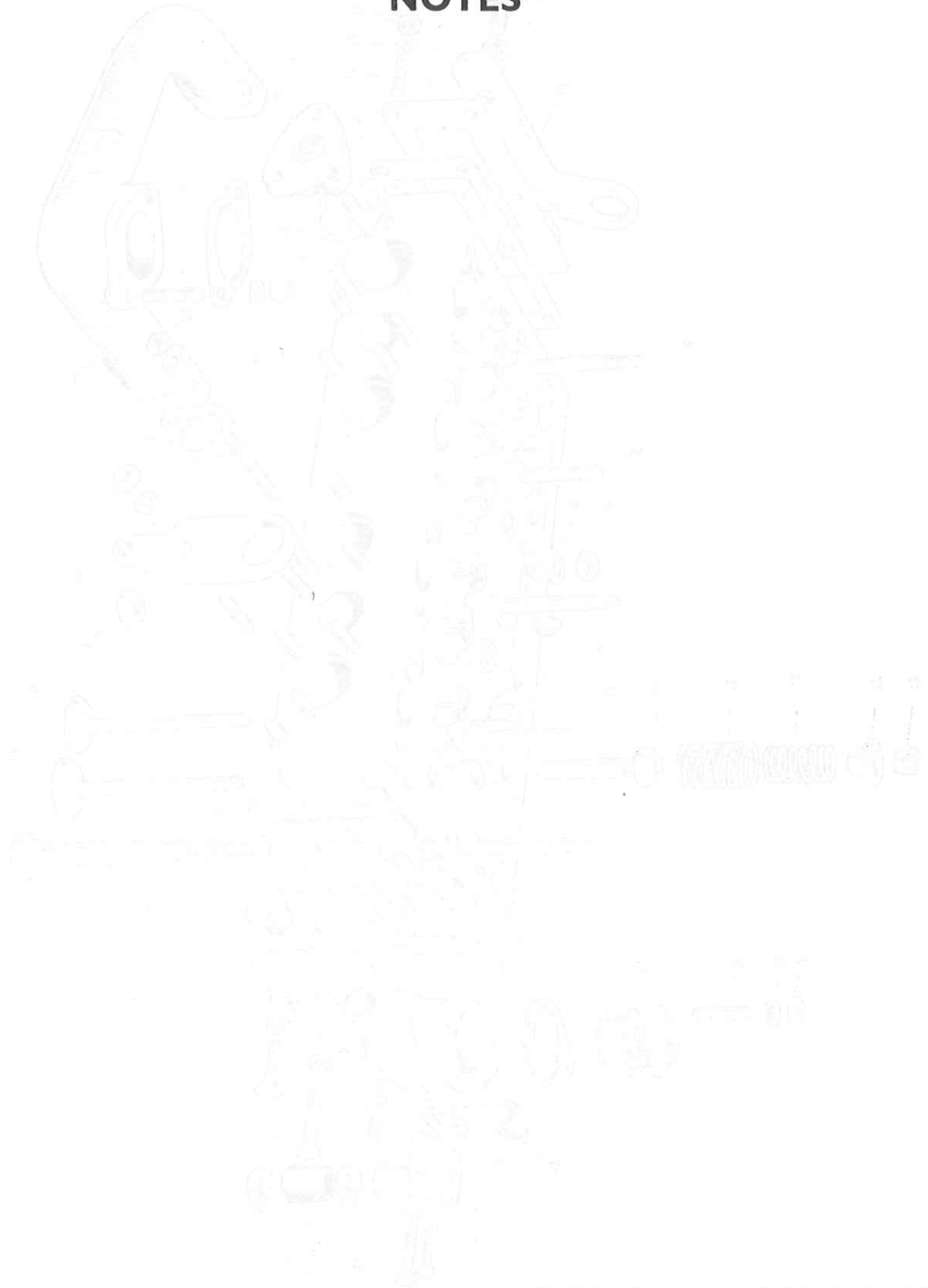
Plate Ref. No.	Part No.	Description	Qty.	Remarks
29	54361	COVER, CRANKSHAFT REAR END OIL SEAL (ASSEMBLY)	1	
		Including:—		
30	0096243	Bolt, crankshaft rear end cover clamping	2	
31	0574211	Nut, crankshaft, rear end cover clamping bolt	2	
32	0730080	Seal, crankshaft rear end oil	2	
33	0490628	Joint, crankshaft rear end oil seal cover to cylinder block	2	Obsolete—Use 36817134
	36817134	Joint, crankshaft rear end oil seal cover to cylinder block	1	
34	0746354	Setscrew, crankshaft rear end oil seal cover to cylinder block and main bearing cap	6	
	33114118	Shim, crankshaft rear end oil seal cover setscrew	6	
35	0920299	Washer, crankshaft rear end oil seal cover setscrew	6	
36	0201373	CONNECTION, CYLINDER BLOCK WATER INLET	1	List Nos. 187 and 189 only
	0201493	CONNECTION, CYLINDER BLOCK WATER INLET	1	List Nos. 188 and 190 only
37	0490692	Joint, water inlet connection to cylinder block	1	
38	0096236	Setscrew, water inlet connection to cylinder block	1	
39	0920053	Washer, water inlet connection setscrew	1	
40	0826203	Stud, water inlet connection to cylinder block	1	Obsolete—Use 0746255/0920106
41	0576002	Nut, water inlet connection retaining	1	Used only with 0826203
42	0920053	Washer, water inlet connection retaining nut	1	
	0746255	Setscrew, water inlet connection to cylinder block	1	
	0920106	Washer, water inlet connection setscrew	1	

**IMPORTANT**

Always quote Engine Number when ordering Parts

**FIT ONLY GENUINE PERKINS PARTS**

## NOTES



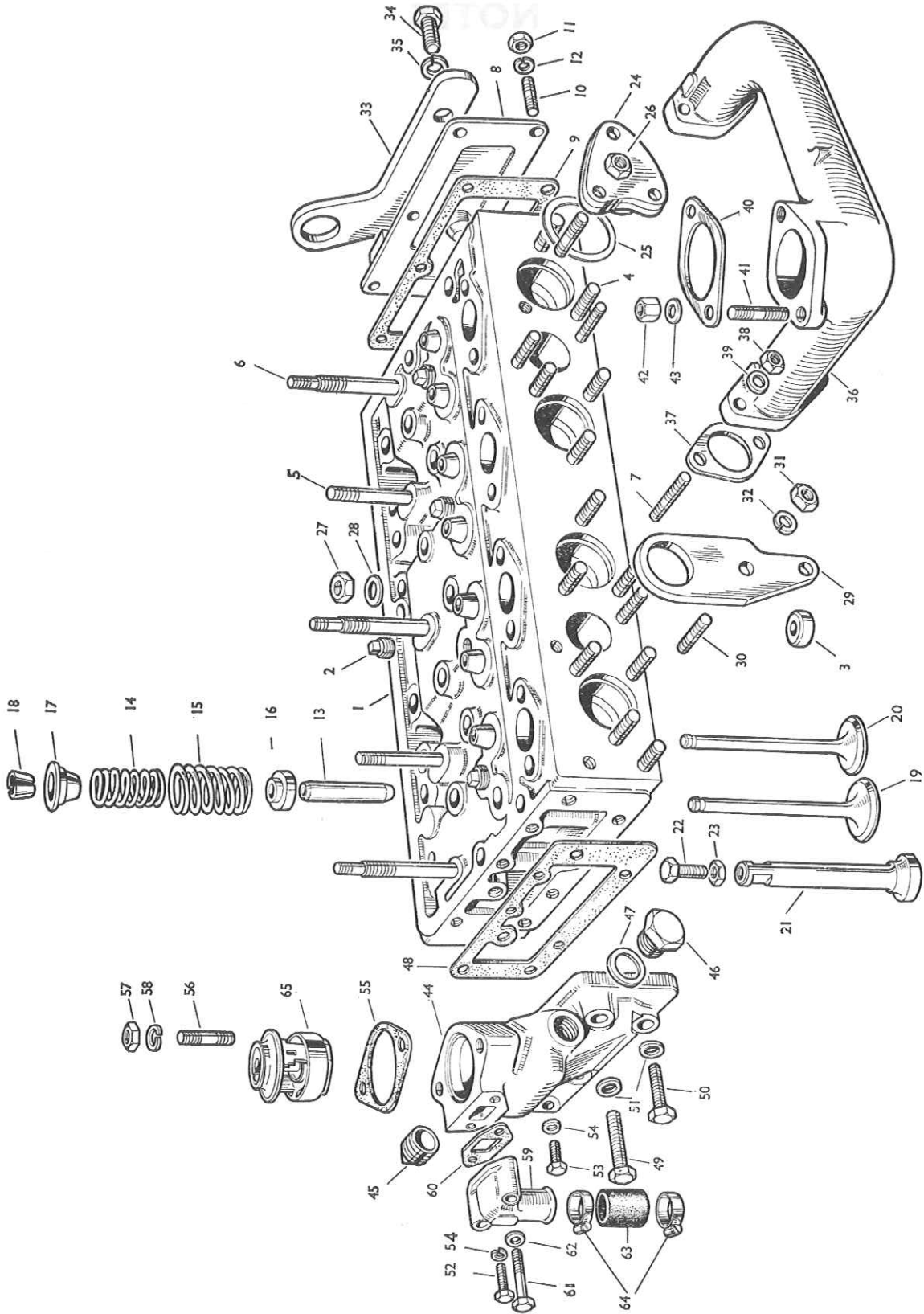
---

### IMPORTANT

Always quote Engine Number when ordering Parts

**FIT ONLY GENUINE PERKINS PARTS**

PLATE "B"





SECTION " B "

Cylinder Head

Plate Ref.	Part No.	Description	Qty.	Remarks
	58400	CYLINDER HEAD (ASSEMBLY)	1	Prior to Eng. No. 2601103 Obsolete—Use 82611/ 33411107
1	82611	CYLINDER HEAD (ASSEMBLY)	1	
		Including:—		
2	0650590	Plug, cylinder head water jacket	4	
3	0650685	Plug, cylinder head water port	3	
4	0825258	Stud, cylinder head to combustion chamber cap	12	
5	0826479	Stud, cylinder head to rocker shaft bracket	2	} Not incl. in Assy.
6	0825241	Stud, cylinder head to rocker shaft bracket—Long	3	
7	0826232	Stud, cylinder head to exhaust manifold	4	
8	0941118	Cover, cylinder head rear end	1	
9	0490485	Joint, cylinder head rear end cover	1	Replaces 0490029
10	0826002	Stud, cylinder head rear end cover to cylinder head	6	} Not incl. in Assy.
11	0576001	Nut, cylinder head rear end cover retaining	6	
	0746052	Setscrew, cylinder head rear end cover to cylinder head	6	
12	0920052	Washer, cylinder head rear end cover setscrew	6	
	0420002	Guide, inlet and exhaust valve	8	Used only with 58400
13	33261723	Guide, inlet and exhaust valve	8	Used only with 80123
14	0780007	Spring, inlet and exhaust valve—Inner	8	
15	0780006	Spring, inlet and exhaust valve—Outer	8	
	0920516	Washer, inlet and exhaust valve spring locating	8	Used only with 0420002
16	33411107	Washer, inlet and exhaust valve spring locating	8	Used only with 33261723
17	0150008	Cap, inlet and exhaust valve spring locating	8	
18	0230001	Cotters, inlet and exhaust valve spring	8	pairs
19	31431261	Valve, inlet	4	
20	0910002	Valve, exhaust	4	
21	0860012	Tappet	8	
22	0720677	Screw, tappet adjusting	8	
23	0576052	Nut, tappet adjusting screw locking	8	
24	37416203	Cap, combustion chamber	4	
25	0490115	Joint, combustion chamber cap to cylinder head	4	Obsolete—Use 0490023
	0490023	Joint, combustion chamber cap to cylinder head	4	
		Stud, combustion chamber cap to cylinder head		See Cyl. Head (Assembly)
26	0576051	Nut, combustion chamber cap retaining	12	} See Section 'A'
		Gasket, cylinder head		
		Stud, cylinder head to cylinder block		
	0576054	Nut, cylinder head retaining	19	Prior to Eng. No. 2606694
27	33221312	Nut, cylinder head retaining	19	Eng. No. 2606694 onwards
28	0920006	Washer, cylinder head retaining nut	1	Middle Stud
29	0941083	PLATE, ENGINE LIFTING—FRONT	1	Obsolete—Use 36475706
	36475706	PLATE, ENGINE LIFTING—FRONT	1	
30	0826466	Stud, engine front lifting plate to cylinder head	2	Obsolete—Use 0746453
31	0576051	Nut, engine front lifting plate retaining	2	Used only with 0826466
	0746453	Setscrew, engine front lifting plate to cylinder head	2	
32	0920054	Washer, engine front lifting plate setscrew/nut	2	
33	0940192	PLATE, ENGINE LIFTING—REAR	1	
34	0746452	Setscrew, engine rear lifting plate to end cover	1	
35	0920054	Washer, engine rear lifting plate setscrew	1	

IMPORTANT

Always quote Engine Number when ordering Parts

FIT ONLY GENUINE PERKINS PARTS

SECTION "B" Continued

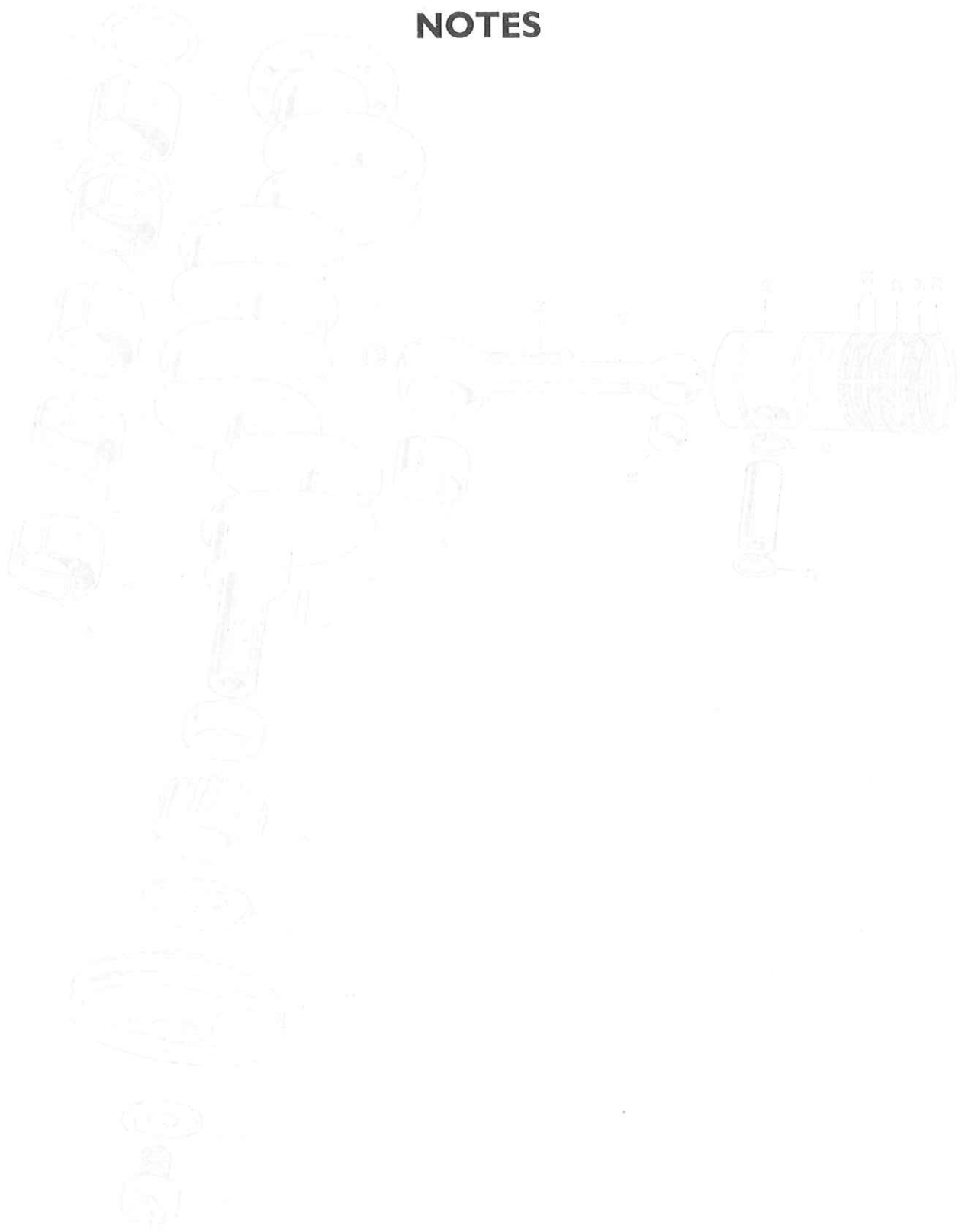
# Cylinder Head

Plate Ref.	Part No.	Description	Qty.	Remarks	
36	0540175	MANIFOLD, EXHAUST	1		
37	0490044	Joint, exhaust manifold to cylinder head	2		
		Stud, exhaust manifold to cylinder head	...	See Cyl. Head (Assembly)	
38	0576031	Nut, exhaust manifold retaining	4		
39	0920003	Washer, exhaust manifold retaining nut	4		
		FLANGE, EXHAUST MANIFOLD OUTLET	...	Quote Engine Number	
40	0490032	Joint, outlet flange to exhaust manifold	1		
41	0826408	Stud, outlet flange to exhaust manifold	2		
42	0576030	Nut, outlet flange retaining	2		
43	0920004	Washer, outlet flange retaining nut	2		
44	37766321	BODY, CYLINDER HEAD WATER OUTLET (Prior to Eng. No. 2602867 Obsolete—Use 37766322/0746052)	1	}	
	37766322	BODY, CYLINDER HEAD WATER OUTLET (Eng. No. 2602867 onwards)	1		
45	0650540	Plug, cylinder head water outlet body	1		
46	0650203	Plug, cylinder head water outlet body	1		
47	2411157	Washer, cylinder head water outlet body plug	1		
48	0490701	Joint, cylinder head water outlet body to cylinder head	1		
49	0746459	Setscrew, cylinder head water outlet body to cylinder head—Long	1		
50	0746455	Setscrew, cylinder head water outlet body to cylinder head	1		
51	0920155	Washer, cylinder head water outlet body setscrew	2		
52	0746054	Setscrew, cylinder head water outlet body to cylinder head—Top two holes	2		
53	0746053	Setscrew, cylinder head water outlet body to cylinder head—Bottom two holes (Replace 0746153) (Used only with 37766231)	2		List No's. 187 and 189 only
	0746052	Setscrew, cylinder head water outlet body to cylinder head—Bottom two holes (Used only with 37766322)	2		
54	0920052	Washer, cylinder head water outlet body setscrew	4		
		CONNECTION, CYLINDER HEAD WATER OUTLET BODY—TOP (QUOTE ENGINE NUMBER)	...		
55	0490184	Joint, cylinder head top water outlet connection to outlet body	1		
56	0826419	Stud, cylinder head top water outlet connection to outlet body	2		
57	0576051	Nut, cylinder head top water outlet connection retaining	2		
58	0920054	Washer, cylinder head top water outlet connection retaining nut	2		
59	37733191	CONNECTION, CYLINDER HEAD WATER OUTLET BODY BY-PASS	1		
60	36862119	Joint, cylinder head water outlet body by-pass connection to body	1		
61	0096235	Setscrew, cylinder head water outlet body by-pass connection to body	2		
62	0920106	Washer, cylinder head water outlet body by-pass setscrew	2		
63	0200080	Hose, cylinder head water outlet body by-pass to water pump	1		
64	0180066	Clip, by-pass pipe hose	2		
65	32550	Thermostat (Alternative 33841)	1		
		PIPE, LUB. OIL—CAMSHAFT CHAMBER TO CYLINDER HEAD	...	See Section 'G'	

**IMPORTANT**  
Always quote Engine Number when ordering Parts

**FIT ONLY GENUINE PERKINS PARTS**

# NOTES



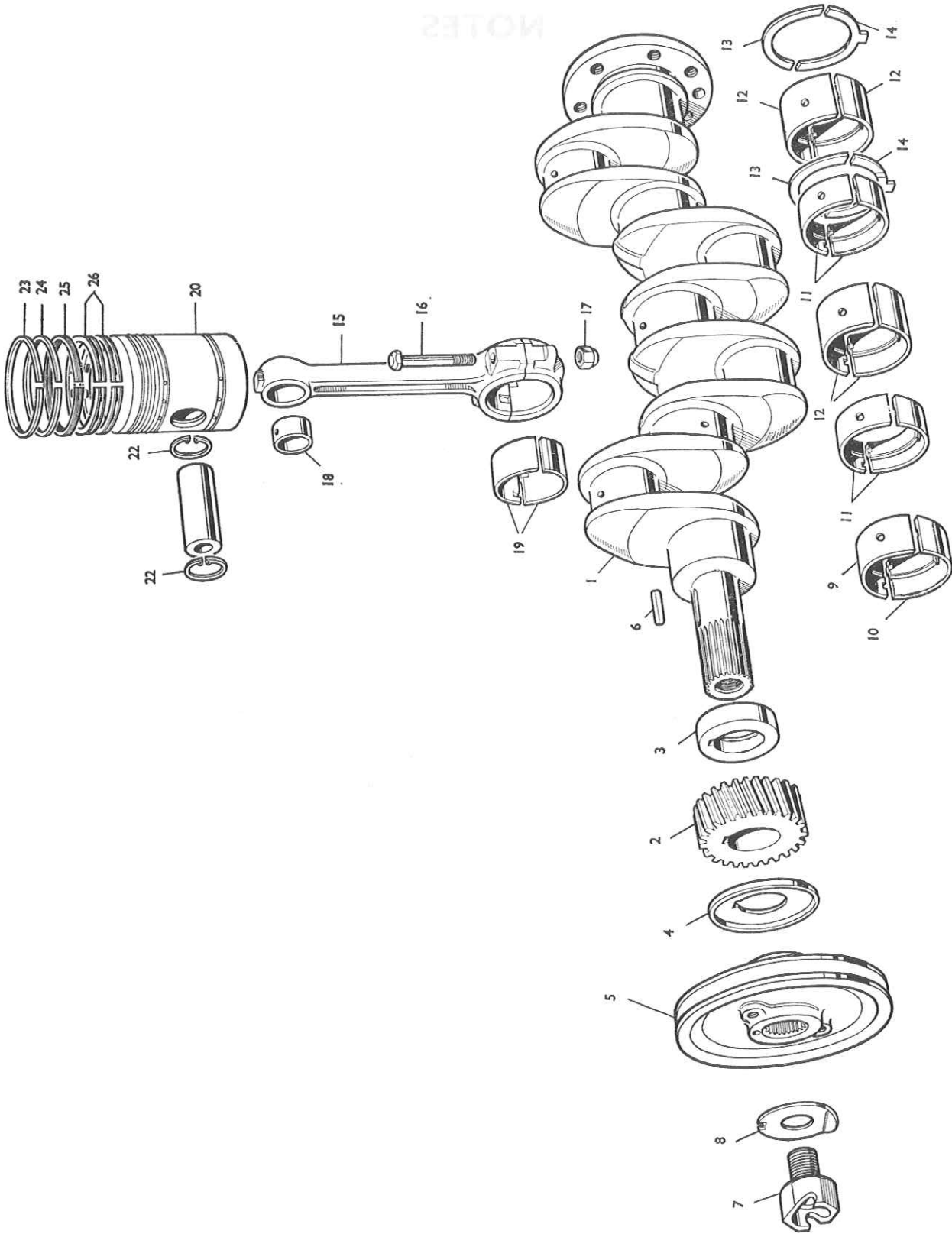
**IMPORTANT**

Always quote Engine Number when ordering Parts

**FIT ONLY GENUINE PERKINS PARTS**

PLATE "C"

NOTES



SECTION "C"

**Crankshaft**

Plate Ref.	Part No.	Description	Qty.	Remarks
1	31315134	CRANKSHAFT	1	Prior to Eng. No. 2601788 Obsolete—Use 31315137/ 59617
	31315137	CRANKSHAFT	1	
2	0410228	Gear, crankshaft	1	
3	0330934	Distance-piece, crankshaft gear	1	
4	33176308	Flange, crankshaft oil thrower	1	
5	31148615	Pulley, crankshaft	1	List No's. 187 and 189 only
	31143675	Pulley, crankshaft	1	List No's. 188 and 190 only
6	0500168	Key, crankshaft gear	1	
7	0340025	Dog, starter	1	
8	31733508	Tab-washer, starting dog	1	Replaces 0920835
	*58704	BEARINGS, CRANKSHAFT MAIN COMPLETE SET STD. SIZE (Pre-Finished)	1	Prior to Eng. No. 2601788
	*59617	BEARINGS, CRANKSHAFT MAIN COMPLETE SET STD. SIZE (Pre-Finished)	1	Eng. No. 2601788 onwards
		Comprising:—		
9	31122321	Bearing, crankshaft front main top half std. size (Pre-Finished)	1	Alternative 31122331
10	31122311	Bearing, crankshaft front main bottom half std. size (Pre-Finished)	1	Alternative 31122341
11	31121221	Bearing, crankshaft inter main top and bottom half std. size (Pre-Finished)	4	Alternative 31121231
	31123241	Bearing, crankshaft middle and rear main—Top and bottom half std. size (Pre-Finished) (Used only with 58704)	4	Alternative 31123251
12	31123271	Bearing, crankshaft middle and rear main top and bottom half std. size (Pre-Finished) (Used only with 59617)	4	Alternative 31123261
<p>For Engine Sets of Crankshaft Main Bearing .010" u/s, .020" u/s or .030" u/s add suffix "A," "B" or "C" to part number 58704/59617.</p> <p>For Individual Crankshaft Main Bearing .010" u/s, .020" u/s or .030" u/s quote the following part numbers.</p> <p>e.g.</p> <p>31122321 Std. Size</p> <p>31122322 .010" u/s.</p> <p>31122323 .020" u/s.</p> <p>31122324 .030" u/s.</p>				
13	31137191	Washer, crankshaft main bearing thrust—Top	2	Replace 0920849
	31137192	Washer, crankshaft main bearing thrust—Top—.007" o/s approx.	as reqd.	Replace 0920849A
14	31137201	Washer, crankshaft main bearing thrust—Bottom	2	Replace 31137171
	31137202	Washer, crankshaft main bearing thrust—Bottom—.007" o/s approx.	as reqd.	Replace 31137172

**IMPORTANT**

Always quote Engine Number when ordering Parts

**FIT ONLY GENUINE PERKINS PARTS**

SECTION "C" Continued

**Crankshaft**

Plate Ref.	Part No.	Description	Qty.	Remarks
	<b>58705</b>	CONNECTING ROD (ASSEMBLY)—MAJOR	... 4	
		Comprising:—		
15	<b>52813</b>	CONNECTING ROD (ASSEMBLY)—MINOR	... 4	
16	0095250	Bolt, connecting rod to cap	... 8	} Included in 52813 Replace 0571276
17	2211155	Nut, connecting rod to cap bolt	... 8	
18	0050119	Bush, connecting rod small end	... 4	
19	<b>*31131171</b>	BEARING, CONNECTING ROD BIG END TOP AND BOTTOM STD. SIZE (Pre-Finished)	... 8	Alternative 31131191
For Big End Bearings .010" u/s, .020" u/s or .030" u/s quote the following part numbers:—				
e.g.				
	<b>31131171</b>	Std. Size		
	<b>31131172</b>	.010" u/s.		
	<b>31131173</b>	.020" u/s.		
	<b>31131174</b>	.030" u/s.		
†	<b>59635</b>	PISTON (ASSEMBLY)—MAJOR (Replace 55779)	... 4	} Prior to Eng. No. 2606630 Obsolete—Use 81870
†	<b>81870</b>	PISTON (ASSEMBLY)—MAJOR	... 4	
		Comprising:—		
20	† <b>55778</b>	PISTON (ASSEMBLY)—MINOR	... 4	} Used only with 59635 Obsolete—Use 81565 and 16 off 31365181
	† <b>81565</b>	PISTON (ASSEMBLY)—MINOR	... 4	
21	0610516	Pin, gudgeon	... 4	} Included in 55778/ 81565
22	0170001	Circlip, gudgeon pin retaining	... 8	
23	0640135	Ring, piston compression—Plain	... 4	Top Groove
24	0640136	Ring, piston compression—Taper	... 4	2nd Groove
25	31365181	Ring, piston compression	... 16	} 3rd Groove—12 off with 55778
26	0640134	Ring, piston scraper—Maxigroove	... 8	
	<b>81869</b>	PISTON, RING KIT—SINGLE PISTON	... 1	} Prior to Eng. No. 2606630— Used only with 55778
		Comprising:—		
	31362271	Ring, piston compression	... 1	Top Groove
	31366511	Ring, piston compression	... 2	2nd and 3rd Groove
	31377201	Ring, piston scraper	... 1	4th Groove
	31372171	Ring, piston scraper	... 1	5th Groove
	0997282	Leaflet, fitting instruction	... 1	
	<b>82133</b>	PISTON, RING KIT—SINGLE PISTON	... 1	} Eng. No. 2606630 onwards Used only with 81565
		Comprising:—		
	31362271	Ring, piston compression	... 1	Top Groove
	31366511	Ring, piston compression	... 1	2nd Groove
	31366521	Ring, piston compression	... 1	3rd Groove
	31377201	Ring, piston scraper	... 1	4th Groove
	31372171	Ring, piston scraper	... 1	5th Groove
	31812901	Leaflet, fitting instruction	... 1	

NOTES:—

\*Pre-Finished Bearing are to size stated, and require no final fitting by hand.

†Pistons require topping before final assembly—refer to Service Literature.

**IMPORTANT**

Always quote Engine Number when ordering Parts

**FIT ONLY GENUINE PERKINS PARTS**

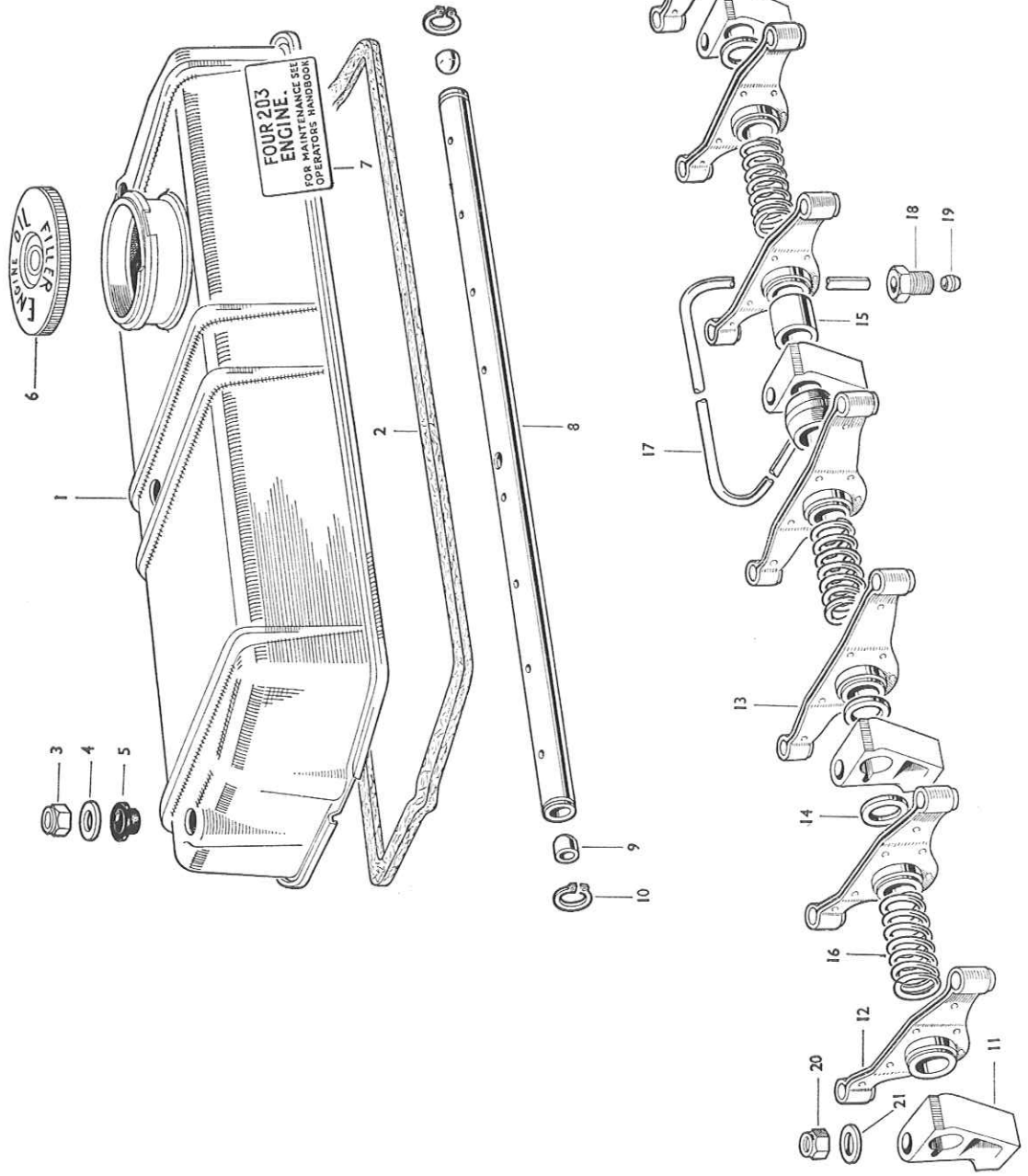
## NOTES



---

**IMPORTANT**  
Always quote Engine Number when ordering Parts  
**FIT ONLY GENUINE PERKINS PARTS**

NOTES





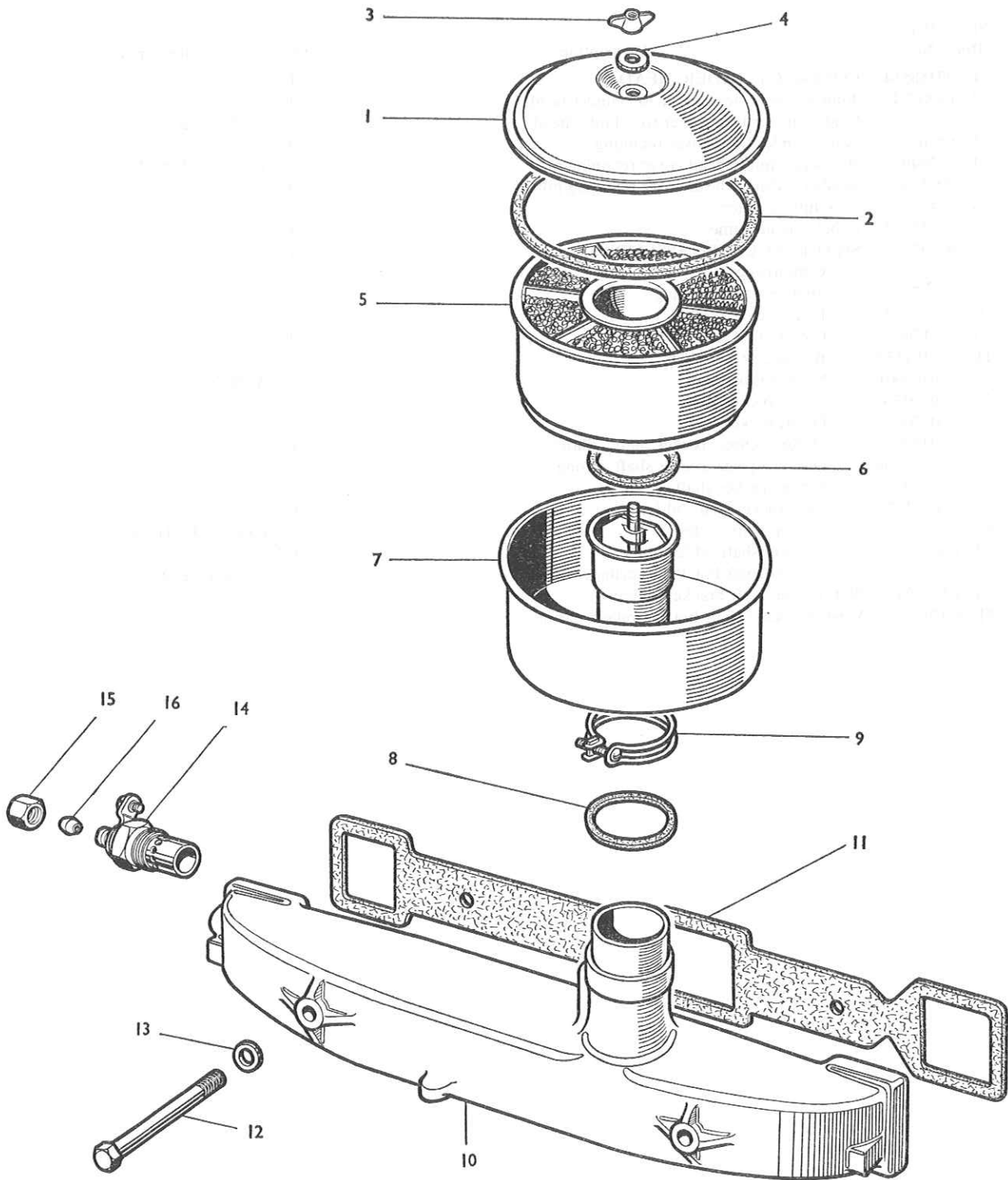
SECTION "D"

# Cylinder Head Cover

Plate Ref.	Part No.	Description	Qty.	Remarks
1	37188514	COVER, CYLINDER HEAD ...	1	
2	0490704	Joint, cylinder head cover to cylinder head	1	
		Stud, cylinder head cover to cylinder head		See Section 'A'
3	0576102	Nut, cylinder head cover retaining	3	
4	0920497	Washer, cylinder head cover retaining nut	3	Replace 0920003
5	0921337	Washer, cylinder head cover retaining nut	3	
6	30476	Cap, lub. oil filler	1	
7	31815519	Label, engine name	1	
	55437	SHAFT, ROCKER (ASSEMBLY)	1	
		Comprising:—		
8	52703	Shaft, rocker c/w plugs	1	
9	0650507	Plug, rocker shaft	2	
10	0170033	Circlip, rocker shaft locating	2	
11	0101138	Bracket, rocker shaft	5	
	0760001	Shim, rocker shaft		As Req.
12	0520430	Lever, rocker R.H.	4	
13	0520429	Lever, rocker L.H.	4	
14	0330517	Distance-piece, rocker shaft—Short	4	
15	0330510	Distance-piece, rocker shaft—Long	1	
16	0780009	Spring, rocker shaft	4	
17	0994748	Pipe, rocker shaft oil feed	1	
18	0571351	Nut, rocker shaft oil feed	1	} To Cylinder Head
19	0566002	Olive, rocker shaft oil feed pipe	1	
		Stud, rocker shaft bracket to cylinder head		See Section 'B'
20	0576104	Nut, rocker shaft bracket retaining	5	
21	0920004	Washer, rocker shaft bracket retaining nut	5	

**IMPORTANT**  
 Always quote Engine Number when ordering Parts  
**FIT ONLY GENUINE PERKINS PARTS**

PLATE " E "



SECTION "E"

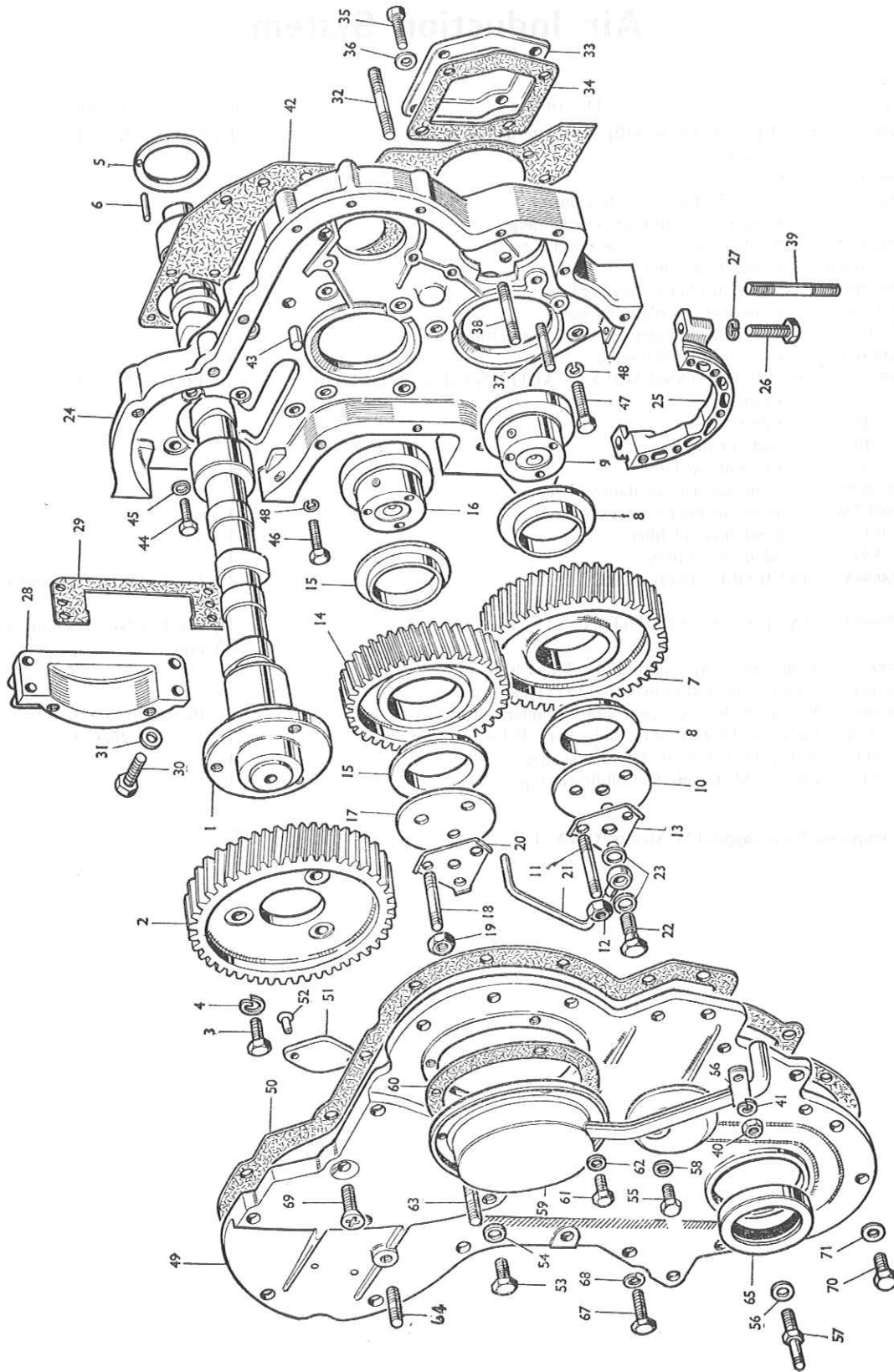
Air Induction System

Plate Ref.	Part No.	Description	Qty.	Remarks
	<b>30399</b>	<b>AIR FILTER (ASSEMBLY)—(Alternative 35254)</b>	...	1 { For List No's. 187 and 188 only
		Comprising:—		
1	26510007	Cover, air filter ... ..	1	
2	0490188	Joint, air filter cover to element ... ..	1	
3	0571095	Wing-nut, air filter cover retaining ... ..	1	
4	0920002	Washer, air filter cover retaining nut... ..	1	
5	26510006	Element, air filter ... ..	1	
6	0490189	Joint, air filter element sealing ... ..	1	
7	26510005	Container, air filter element ... ..	1	
8	0490579	Joint, air filter element container seating ... ..	1	
9	0180116	Clip, air filter clamping ... ..	1	
	<b>35254</b>	<b>AIR FILTER (ASSEMBLY)—(ALTERNATIVE TO 30399)</b>	...	1 For List No's. 187 and 188 only
		Comprising:—		
	32546	Elbow, air filter ... ..	1	
	0571099	Nut, air filter ... ..	1	
	32547	Element, air filter ... ..	1	
	0490609	Joint, cover to container—Outer ... ..	1	
	0490226	Joint, air filter element seating ... ..	1	
	32548	Container, air filter ... ..	1	
	32549	Silencer, air filter ... ..	1	
10	<b>37786563</b>	<b>MANIFOLD, INDUCTION</b> ... ..	1	{ For List No's. 187 and 188 only
	<b>37786573</b>	<b>MANIFOLD, INDUCTION</b> ... ..	1	{ For List No's. 189 and 190 only
11	0490042	Joint, induction manifold to cylinder head ... ..	1	
12	0096640	Setscrew, induction manifold to cylinder head ... ..	2	
13	0920500	Washer, induction manifold to cylinder head setscrew ... ..	2	Replace 0920055
14	*2666103	Heater, cold starting fuel oil—Type 357-5 ... ..	1	Replaces 2666102
15	0576111	Nut, cold starting fuel oil heater pipe ... ..	1	
16	0566002	Olive, cold starting fuel oil heater pipe ... ..	1	

NOTE:—

\*Component Parts supplied by Messrs. C.A.V. Ltd.

PLATE "F"



SECTION "F"

Timing Gear

Plate Ref.	Part No.	Description	Qty.	Remarks
1	0140034	CAMSHAFT	1	
2	0410231	Gear, camshaft	1	
3	0746254	Setscrew, camshaft gear to camshaft	3	
4	0920053	Washer, camshaft gear setscrew	3	
5	0941081	Plate, camshaft thrust	1	
6	0610904	Pin, camshaft thrust plate locating	1	
7	41115004	GEAR, LOWER—IDLER C/W BUSHES	1	
8	0050345	Bush, lower idler gear	2	
9	0450035	Hub, lower idler gear	1	
10	0941091	Plate, lower idler gear retaining	1	
11	0826475	Stud, lower idler gear plate and hub to cylinder block	3	
12	0576051	Nut, lower idler gear plate and hub retaining	3	
13	0921246	Tab-washer, lower idler gear plate and hub retaining nut	1	
14	41115005	GEAR, UPPER—IDLER C/W BUSHES	1	
15	0050345	Bush, upper idler gear	2	
16	0450035	Hub, upper idler gear	1	
17	0941082	Plate, upper idler gear retaining	1	
18	0826434	Stud, upper idler gear plate and hub to cylinder block	3	
19	0576051	Nut, upper idler gear plate and hub retaining	3	
20	0921246	Tab-washer, upper idler gear plate and hub retaining nut	1	
21	35521144	PIPE, LUB. OIL IDLER GEAR SPRAY	1	
22	0095345	Bolt, lub. oil pipe banjo	1	
23	0921168	Washer, lub. oil pipe banjo bolt	2	
	0930001	Lockwire, lub. oil pipe banjo bolt	1	
	57578	HOUSING, TIMING GEAR (ASSEMBLY)	1	
		Comprising:—		
24	37161562	Housing, timing gear—bare	1	
25	37354361	Cover, timing gear housing bottom	1	
26	0748418	Setscrew, timing gear housing bottom cover to housing	2	
27	0920053	Washer, timing gear housing bottom cover setscrew	2	
28	37534531	Cover, timing gear housing power take off facing	1	
29	36853105	Joint, timing gear housing power take off facing cover	1	
30	0748416	Setscrew, timing gear housing power take off facing cover to timing gear housing	4	
31	0920106	Washer, timing gear housing power take off facing cover setscrew	4	
32	0827609	Stud, timing gear housing to fuel pump and drive gear carrier	2	Also detailed on Section 'I'
33	37556125	COVER, TIMING GEAR HOUSING HYDRAULIC PUMP FACING	1	Prior to Eng. No. 2610381 Obsolete—Use 37556146/ 36866428
	37556146	COVER, TIMING GEAR HOUSING HYDRAULIC PUMP FACING	1	Eng. No. 2610381 onwards
	36866428	Joint, timing gear housing hydraulic pump facing cover to housing	1	Used only with 37556146
34	36866424	Joint, timing gear housing hydraulic pump facing cover to housing	1	Used only with 37556125
35	0748412	Setscrew, hydraulic pump facing cover to timing gear housing	4	
36	0920106	Washer, hydraulic pump facing cover setscrew	4	
37	0827613	Stud, timing gear housing front cover to housing	2	
38	0827614	Stud, timing gear housing front cover to housing (Also secures breather pipe clip)—long	1	Fitted in hydraulic pump gear pocket
39	32532306	Stud, timing gear housing to lub. oil sump	2	Also detailed on Section 'G'
40	0576002	Nut, timing gear housing front cover retaining	3	
41	0920053	Washer, timing gear housing front cover retaining nut	3	
42	36814112	Joint, timing gear housing to cylinder block	1	
43	0350017	Dowel, timing gear housing to cylinder block	2	
44	0746355	Setscrew, timing gear housing to cylinder block	4	To Camshaft Chamber
45	0920299	Washer, timing gear housing to cylinder block	4	

IMPORTANT

Always quote Engine Number when ordering Parts

FIT ONLY GENUINE PERKINS PARTS

SECTION "F" Continued

Timing Gear

Plate Ref.	Part No.	Description	Qty.	Remarks
46	0746255	Setscrew, timing gear housing to cylinder block ...	10	
47	0746257	Setscrew, timing gear housing to cylinder block ...	1	
48	0920053	Washer, timing gear housing setscrew ...	11	
	57539	COVER, TIMING GEAR HOUSING—FRONT (ASSEMBLY)	1	Prior to Eng. No. 2602591
	81219	COVER, TIMING GEAR HOUSING—FRONT (ASSEMBLY)	1	Eng. No. 2602591 onwards
	57594	COVER, TIMING GEAR HOUSING—FRONT (ASSEMBLY)	1	Prior to Eng. No. 2607236
	82210	COVER, TIMING GEAR HOUSING—FRONT (ASSEMBLY)	1	Eng. No. 2607236 onwards
		Comprising:—		
	37167613	Cover, timing gear housing front—Bare ...	1	Used only with 57539
49	37167693	Cover, timing gear housing front—Bare ...	1	Used only with 81219
	37167694	Cover, timing gear housing front—Bare ...	1	Used only with 57594/82210
	0748411	Plug, timing gear housing front cover ...	1	Used only with 82210
	0920106	Washer, timing gear housing front cover plug ...	1	
50	36813117	Joint, timing gear housing front cover to housing ...	1	
51	36171114	Plate, camshaft thrust—Front ...	1	
52	0690061	Rivet, camshaft thrust plate retaining ...	2	
53	32151113	Plug, timing gear housing front cover ...	1	Used only with 57539/81219
54	0920109	Washer, timing gear housing front cover plug ...	1	
55	0748351	Plug, timing gear housing front cover ...	1	
56	0920101	Washer, timing gear housing front cover plug ...	1	
57	32186114	Pin, engine timing ...	1	Used only with 81219
58	0920101	Washer, engine timing pin ...	1	
	32186112	Pin, engine timing ...	1	Used only with 57594/82210
	0920101	Washer, engine timing pin ...	1	
59	37556137	COVER, FUEL PUMP GEAR INSPECTION C/W BREATHER PIPE ...	1	Replaces 37556127
60	33825409	Joint, fuel pump gear inspection cover to front cover ...	1	Not Included
61	0748351	Setscrew, fuel pump gear inspection cover to front cover ...	4	in 82210 (Assembly)
62	0920101	Washer, fuel pump gear inspection cover setscrew ...	4	
63		Stud, timing gear housing front cover to water pump mounting plate ...		See Section 'H'
64	0827604	Stud, timing gear housing front cover to dynamo adjusting lever (also detailed on section 'J') ...	1	
65	2414111	Seal, timing gear housing front cover oil ...	1	To timing gear housing front cover setscrew 9 off with 82210
66	36644139	Clip, timing gear housing breather pipe ...	1	
67	0748414	Setscrew, timing gear housing front cover to housing ...	10	Used only with 82210
	0748415	Setscrew, timing gear housing power—take off cover—lower hole —also secures dynamo adjusting lever ...	1	
68	0920053	Washer, timing gear housing front cover setscrew ...	10	List No's. 188 and 190 only
	0748524	Setscrew, timing gear housing front cover to housing ...	2	
	0920054	Washer, timing gear housing front cover setscrew ...	2	
69	2227063	Screw, timing gear housing front cover to housing ...	1	
70	0748413	Setscrew, timing gear housing front cover to bottom cover ...	5	
71	2411152	Washer, timing gear housing front cover to bottom cover setscrew ...	5	

IMPORTANT

Always quote Engine Number when ordering Parts

FIT ONLY GENUINE PERKINS PARTS

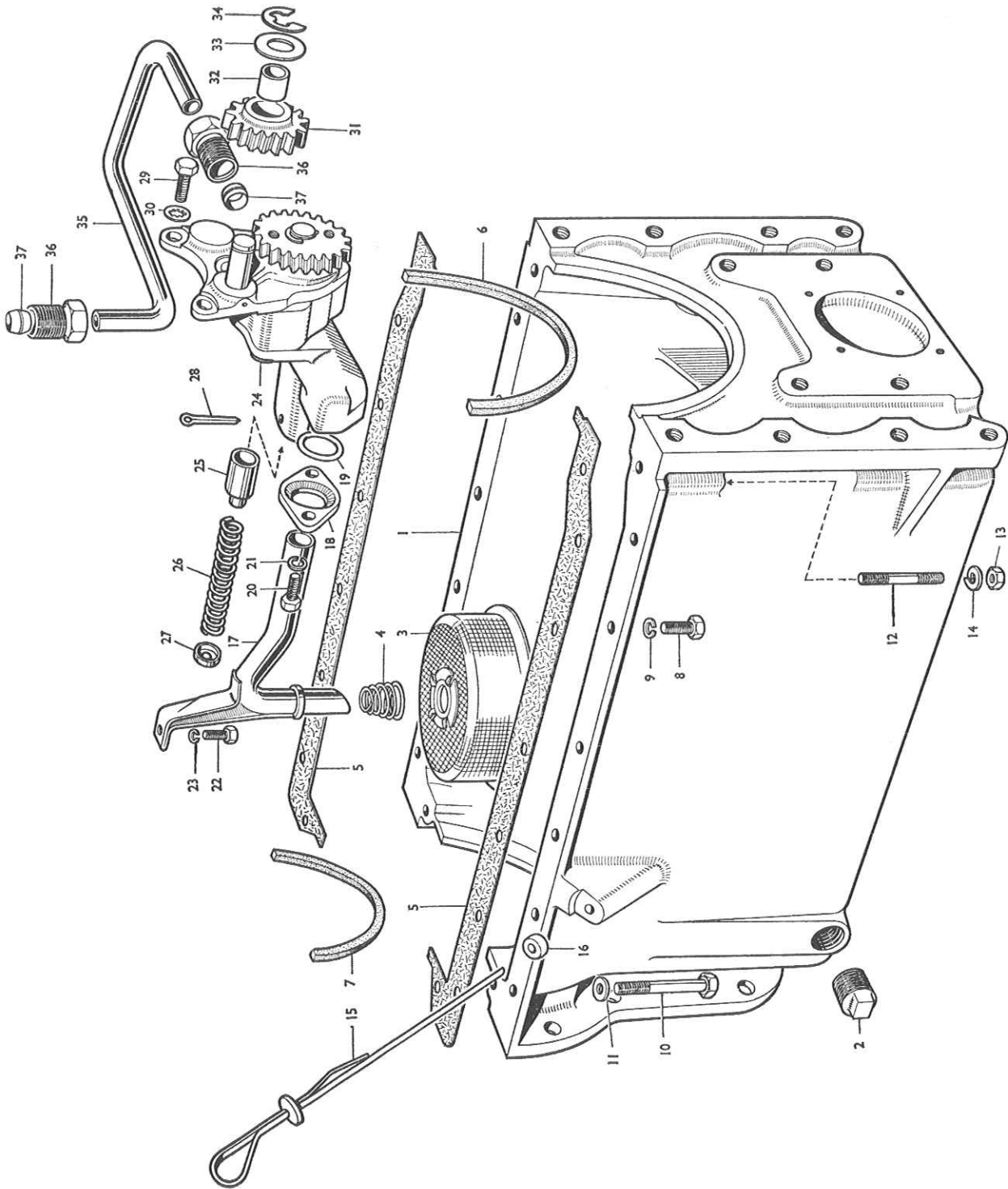
## NOTES



---

**IMPORTANT**  
Always quote Engine Number when ordering Parts  
**FIT ONLY GENUINE PERKINS PARTS**

PLATE "G1"





SECTION "G"

Lubricating Oil System

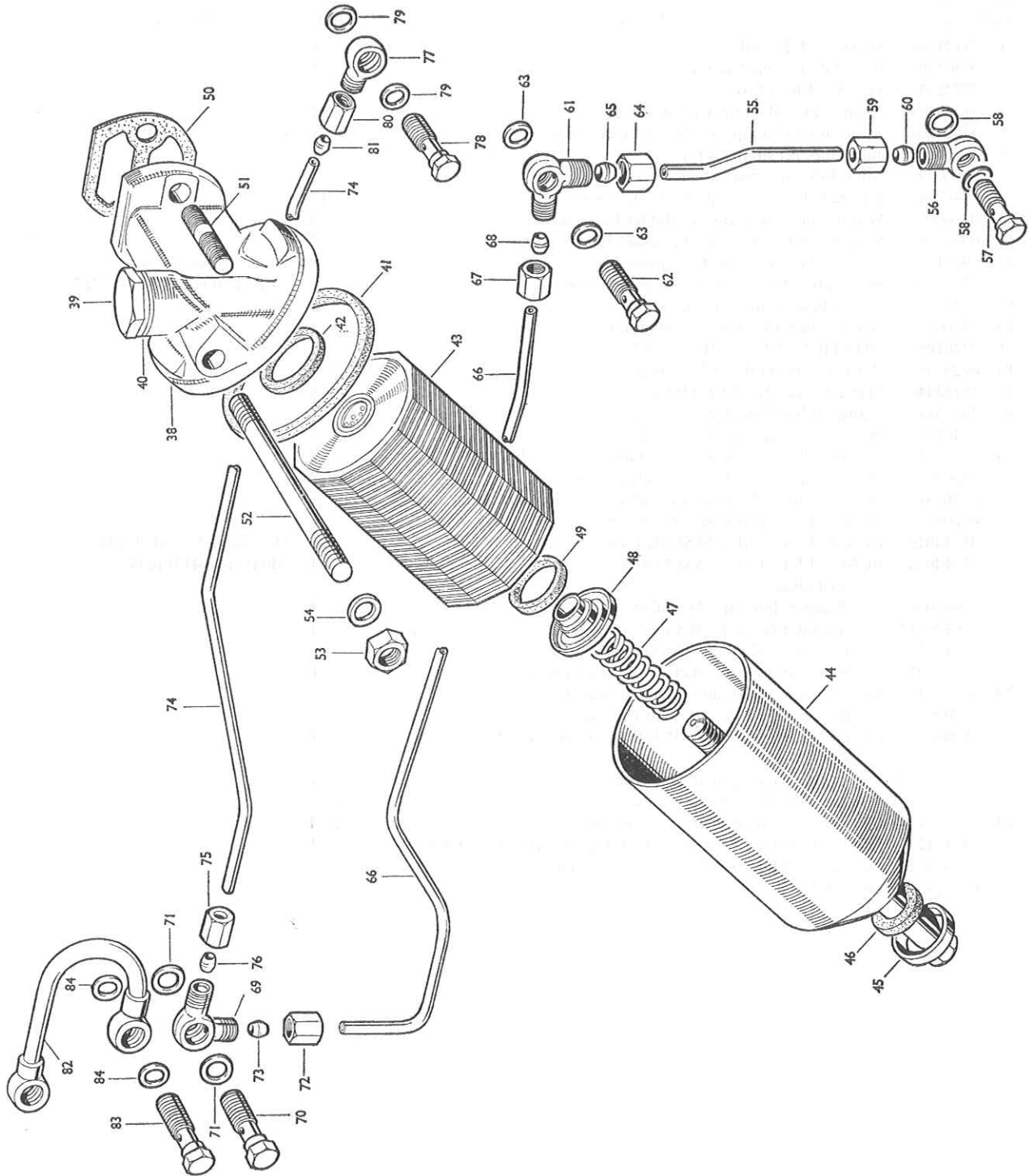
Plate Ref.	Part No.	Description	Qty.	Remarks
1	37171351	SUMP, LUB. OIL ... ..	1	
2	0650540	Plug, lub. oil sump drain ... ..	1	
3	37725432	STRAINER, LUB. OIL ... ..	1	
4	31747109	Spring, lub. oil strainer positioning ... ..	1	
5	41424201	Joint, lub. oil sump to cylinder block—Sides ... ..	1	pair
6	36884107	Joint, lub. oil sump—Front ... ..	1	
7	0490019	Joint, lub. oil sump—Rear ... ..	1	
8	0746254	Setscrew, lub. oil sump to cylinder block ... ..	12	
9	0920053	Washer, lub. oil sump to cylinder block setscrew ... ..	12	
10	0096238	Setscrew, lub. oil sump to cylinder block—Long ... ..	2	
11	0920108	Washer, lub. oil sump to cylinder block setscrew ... ..	2	Rear two setscrews
12	32532306	Stud, lub. oil sump to timing gear housing ... ..	2	Also detailed on Section 'F'
13	0576002	Nut, lub. oil sump retaining ... ..	2	
14	0920053	Washer, lub. oil sump retaining nut ... ..	2	
15	0320105	DIPSTICK, LUB. OIL SUMP ... ..	1	
16	0920336	Washer, lub. oil dipstick sealing ... ..	1	
17	35732446	PIPE, LUB. OIL SUCTION ... ..	1	
18	36174115	Flange, lub. oil suction pipe ... ..	1	
19	0640144	Seal, lub. oil suction pipe to flange ... ..	1	
20	0746254	Setscrew, lub. oil suction pipe flange to pump housing ... ..	2	
21	0920053	Washer, lub. oil suction pipe flange setscrew ... ..	2	
22	0746051	Setscrew, lub. oil suction pipe clip to bearing cap ... ..	1	
23	0920052	Washer, lub. oil suction pipe clip setscrew ... ..	1	
24	41314019	PUMP, LUB. OIL (ASSEMBLY) ... ..	1	Obsolete—Use 41314042
	41314042	PUMP, LUB. OIL (ASSEMBLY) ... ..	1	Alternative 41314033
		Including:—		
25	0630082	Plunger, lub. oil relief valve ... ..	1	
26	0780312	Spring, lub. oil relief valve ... ..	1	
27	0150144	Cap, lub. oil relief valve spring seating ... ..	1	
28	0610011	Split-pin, lub. oil relief valve spring retaining ... ..	1	
29	0746254	Setscrew, lub. oil pump to main bearing cap ... ..	3	
30	0920299	Washer, lub. oil pump to main bearing cap ... ..	3	
31	0994967	GEAR, LUB. OIL PUMP IDLER C/W BUSH ... ..	1	
		Including:—		
32	0050344	Bush, lub. oil pump idler gear ... ..	1	
33	0921241	Washer, lub. oil pump idler gear ... ..	1	
34	0180831	Clip, lub. oil. pump idler gear retaining ... ..	1	
35	34715124	PIPE, LUB. OIL DELIVERY TO CYLINDER BLOCK ... ..	1	
36	33532121	Nut, lub. oil pump delivery pipe to cylinder block and lub. oil pump ... ..	2	
37	0560244	Olive, lub. oil pump delivery pipe to cylinder block and lub. oil pump ... ..	2	

IMPORTANT

Always quote Engine Number when ordering Parts

FIT ONLY GENUINE PERKINS PARTS

# PLATE "G2"



SECTION "G" Continued

Lubricating Oil System

Plate Ref.	Part No.	Description	Qty.	Remarks
	<b>32591</b>	<b>FILTER, LUB. OIL (ASSEMBLY)</b>	1	
		Comprising:—		
38	<b>32598</b>	<b>COVER, LUB. OIL FILTER (ASSEMBLY)</b>	1	
39	0650690	Plug, lub. oil filter relief valve	1	
40	0490595	Joint-washer, lub. oil filter relief valve plug	1	
	0780243	Spring, lub. oil filter relief valve	1	Included in
	0020011	Ball, lub. oil filter relief valve	1	32598
41	0490520	Joint, lub. oil filter cover to container	1	
	0470622	Insert, lub. oil filter element top seal seat	1	
42	0730103	Seal, lub. oil filter element top	1	
43	35289	Element, lub. oil filter	1	
	<b>32528</b>	<b>CONTAINER, LUB. OIL FILTER (ASSEMBLY)</b>	1	
44	0840052	Container, lub. oil filter—Bare	1	
45	32529	Bolt, lub. oil filter	1	
46	0921061	Washer, lub. oil filter bolt sealing	1	Comprise
47	26540022	Spring, lub. oil filter element pressure	1	32528
48	0730104	Retainer, lub. oil filter element pressure	1	
49	0730103	Seal, lub. oil filter element lower	1	
50	0490514	Joint, lub. oil filter to cylinder block	1	
51	0826425	Stud, lub. oil filter to cylinder block	1	} Obsolete—Use 0746454/ 0096446
52	0826476	Stud, lub. oil filter to cylinder block—Long	1	
53	0576051	Nut, lub. oil filter retaining	2	} Used only with 0826425/0826476
	0746454	Setscrew, lub. oil filter to cylinder block	1	
	0096446	Setscrew, lub. oil filter to cylinder block—Long	1	
54	0920054	Washer, lub. oil filter setscrew	2	
55	<b>0623402</b>	<b>PIPE, LUB. OIL—PRESSURE RAIL TO UPPER IDLER GEAR FEED</b>	1	
56	0201399	Banjo, lub. oil pipe	1	} To Pressure Rail
57	0095350	Bolt, lub. oil pipe banjo	1	
58	0920126	Washer, lub. oil pipe banjo bolt	2	
59	0576112	Nut, lub. oil pipe	1	
60	0566003	Olive, lub. oil pipe	1	
61	0201397	Banjo, lub. oil pipe	1	} To Idler Gear Feed
62	0095350	Bolt, lub. oil pipe banjo	1	
63	0920126	Washer, lub. oil pipe banjo bolt	2	
64	0576112	Nut, lub. oil pipe	1	
65	0566003	Olive, lub. oil pipe	1	
66	<b>34421408</b>	<b>PIPE, LUB. OIL—UPPER IDLER GEAR FEED TO CAMSHAFT CHAMBER</b>	1	
67	0576111	Nut, lub. oil pipe	1	} To Idler Gear
68	0566002	Olive, lub. oil pipe	1	
69	0201467	Connection, lub. oil pipe	1	} Feed
70	0095350	Bolt, lub. oil pipe connection	1	
71	0920126	Washer, lub. oil pipe connection bolt	2	
72	0576111	Nut, lub. oil pipe	1	
73	0566002	Olive, lub. oil pipe	1	

**IMPORTANT**  
Always quote Engine Number when ordering Parts  
**FIT ONLY GENUINE PERKINS PARTS**

SECTION "G" Continued

Lubricating Oil System

Plate Ref. No.	Part No.	Description	Qty.	Remarks
74	34417116	PIPE, LUB. OIL—CAMSHAFT CHAMBER TO NO. 1 CAMSHAFT BEARING	1	
75	0576111	Nut, lub. oil pipe	1	} To Camshaft Chamber
76	0566002	Olive, lub. oil pipe	1	
77	0201398	Connection, lub. oil pipe	1	} Connection
78	0095350	Bolt, lub. oil pipe banjo	1	
79	0920126	Washer, lub. oil pipe banjo bolt	2	} To No. 1 Camshaft Bearing
80	0576111	Nut, lub. oil pipe	1	
81	0566002	Olive, lub. oil pipe	1	
	0990572	PIPE, LUB. OIL—CAMSHAFT CHAMBER TO CYLINDER HEAD	1	} Prior to Eng. No. 2601109 } Obsolete—Use 35551503
82	35551503	PIPE, LUB. OIL—CAMSHAFT CHAMBER TO CYLINDER HEAD	1	
83	0095350	Bolt, lub. oil pipe	2	Eng. No. 2601109 onwards
84	0920126	Washer, lub. oil pipe bolt	4	
		PIPE, LUB. OIL—IDLER GEAR SPRAY		See Section 'F'

IMPORTANT

Always quote Engine Number when ordering Parts

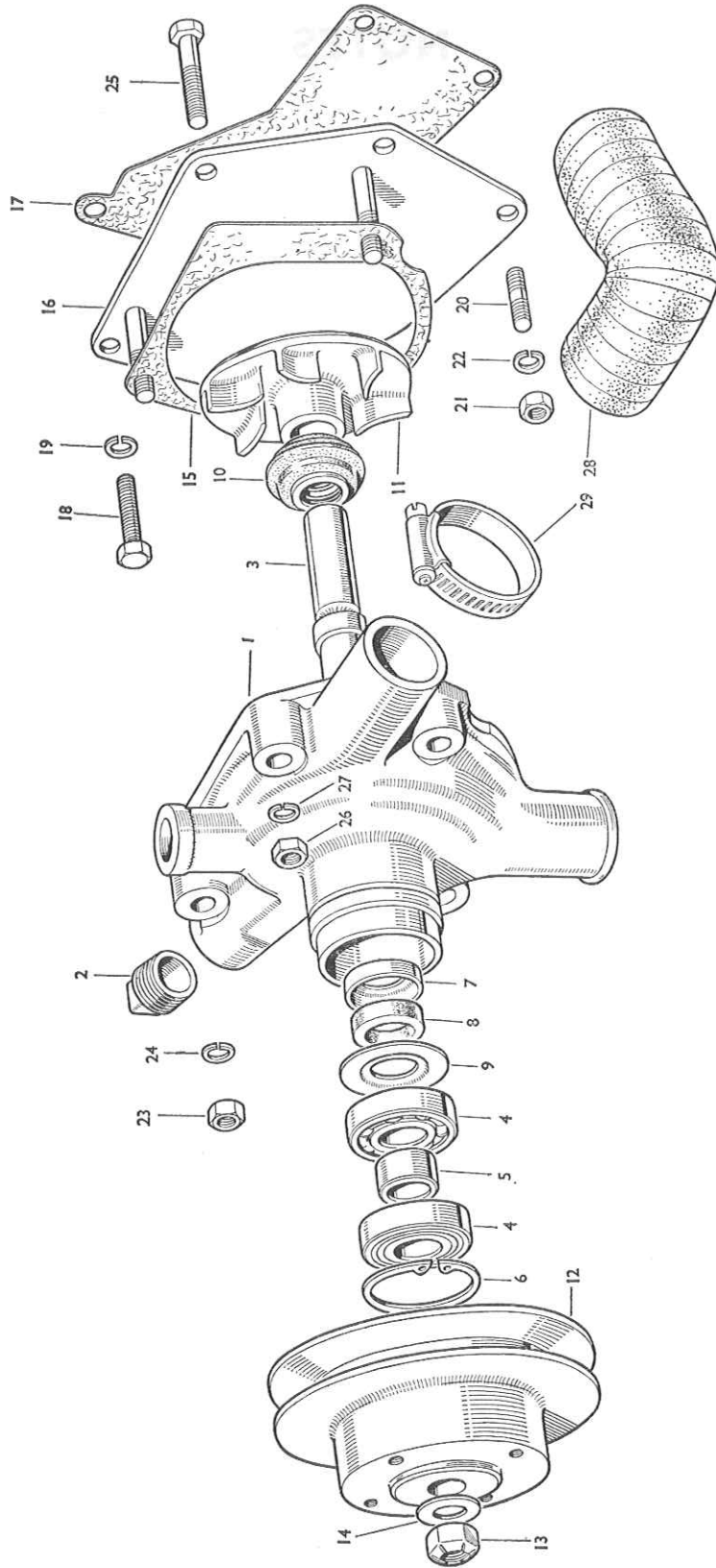
FIT ONLY GENUINE PERKINS PARTS

## NOTES

---

**IMPORTANT**  
Always quote Engine Number when ordering Parts  
**FIT ONLY GENUINE PERKINS PARTS**

PLATE "H1"



SECTION "H"

## Water Pump (List Nos. 187 & 189 Only)

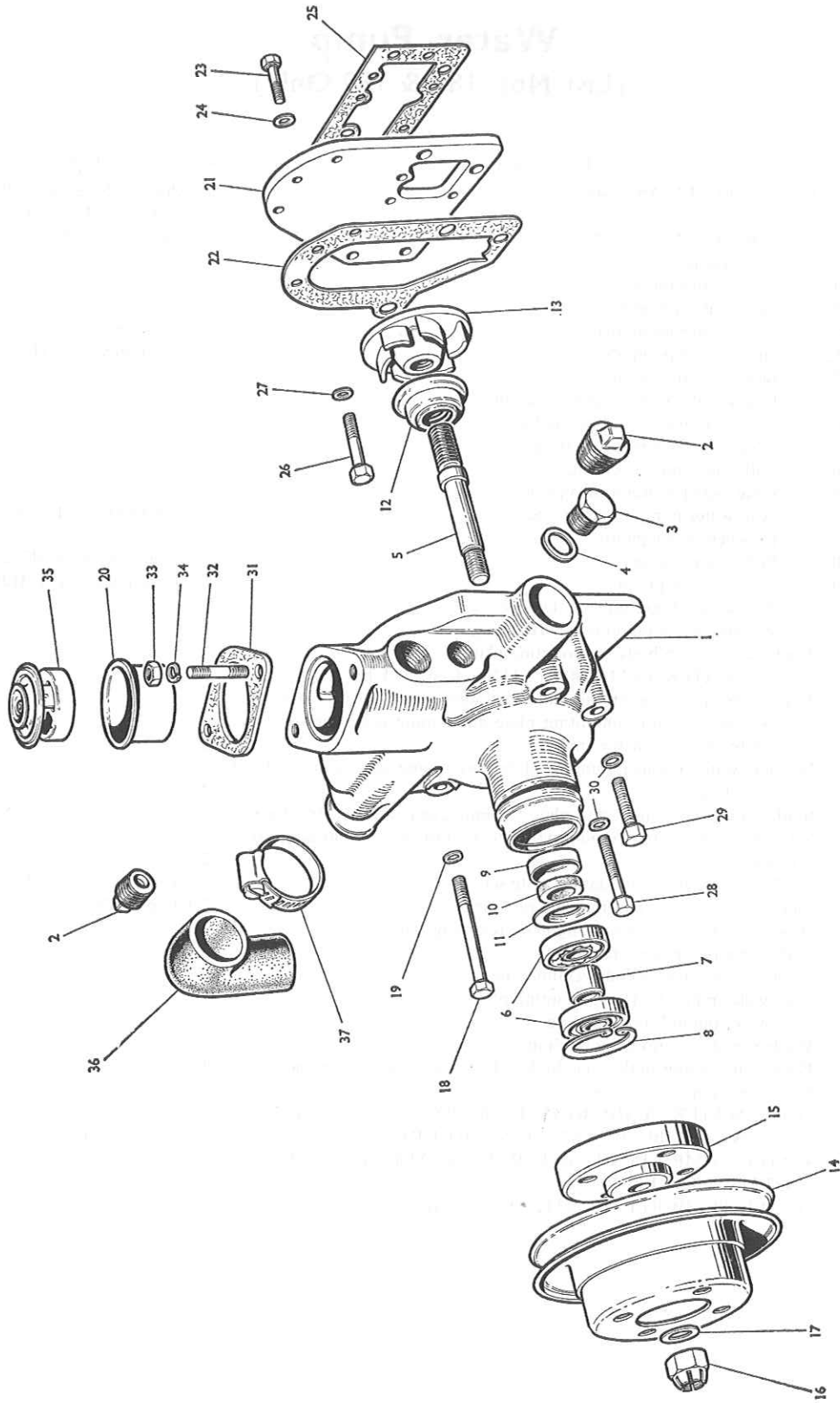
Plate Ref. No.	Part No.	Description	Qty.	Remarks
41312038		WATER PUMP (ASSEMBLY)	1	Prior to Eng. No. 2600393 Obsolete—Use 41312064 Eng. No. 2600393 onwards
41312064		WATER PUMP (ASSEMBLY)	1	
		Comprising:—		
1	37711291	Body, water pump	1	
2	0650540	Plug, water pump body	1	
	0750368	Shaft, water pump drive	1	Used only with 41312038
3	32753412*	Shaft, water pump drive	1	Used only with 41312064
4	0040057*	Bearing, water pump	2	
5	0330927*	Distance-piece, water pump bearing	1	
6	0170046*	Circlip, water pump bearing locating	1	
7	0380098*	Housing, water pump bearing seal	1	
8	0730046*	Seal, water pump bearing	1	
9	0380164*	Plate, water pump bearing seal	1	
10	2415207*	Seal, water pump impeller—Rear	1	Alternative 2415208
11	37447511*	Impeller, water pump	1	
	31146701	Pulley, water pump	1	Used only with 41312038
12	31146702	Pulley, water pump	1	Used only with 41312064
13	0576103	Nut, water pump pulley retaining	1	
14	0920007	Washer, water pump pulley retaining nut	1	
15	36866415	Joint, water pump body to mounting plate	1	
16	38611108	PLATE, WATER PUMP MOUNTING C/W STUDS	1	
17	36865104	Joint, water pump mounting plate to timing gear housing front cover	1	
18	0748525	Setscrew, water pump mounting plate and timing gear housing front cover to timing gear housing	2	
19	0920054	Washer, water pump mounting plate and timing gear housing front cover setscrew	2	
20	0827812	Stud, water pump mounting plate to timing gear housing front cover	2	Obsolete—Use 0748521/0920109
	0748521	Setscrew, water pump mounting plate to timing gear housing front cover	2	
	0920109	Washer, water pump mounting plate setscrew	2	Used only with 0920109
21	0576051	Nut, water pump mounting plate retaining	2	Used only with 0827812
22	0920054	Washer, water pump mounting plate retaining nut	2	
23	0576051	Nut, water pump body retaining	3	
24	0920054	Washer, water pump body retaining nut	3	
25	0096435	Bolt, water pump body to mounting plate	1	
26	0576051	Nut, water pump body retaining	1	
27	0920054	Washer, water pump body retaining nut	1	
28	34821416	Hose, water pump outlet to cylinder block water inlet connection	1	
29	0180067	Clip, water connection hose	2	
		HOSE, WATER PUMP BODY TO BY-PASS CONNECTION		See Section 'B'
		BELT, WATER PUMP AND DYNAMO DRIVE		See Section 'J'
58740		WATER PUMP REPAIR KIT, WITH BEARINGS (INCLUDES ITEMS MARKED *)	1	
58739		WATER PUMP REPAIR KIT, LESS BEARINGS	1	

**IMPORTANT**

Always quote Engine Number when ordering Parts

**FIT ONLY GENUINE PERKINS PARTS**

# PLATE " H2 "



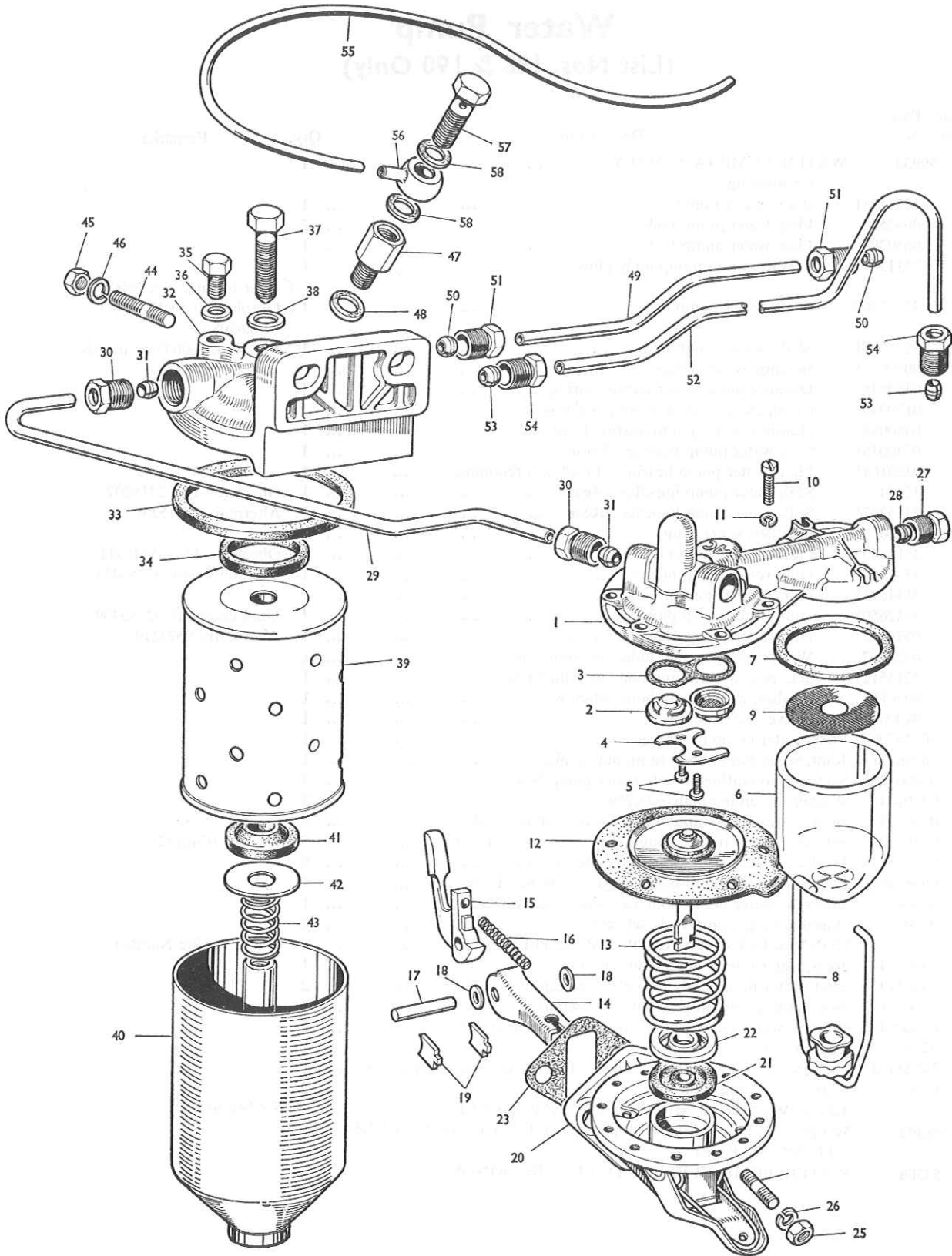


SECTION "H" Continued

**Water Pump**  
(List Nos. 188 & 190 Only)

Plate Part Ref. No.	Description	Qty.	Remarks
59930	WATER PUMP (ASSEMBLY) ... ..	1	
	Comprising:—		
1 37712281	Body, water pump ... ..	1	
2 0650540	Plug, water pump body ... ..	2	
3 0650203	Plug, water pump body ... ..	1	
4 2411157	Washer, water pump body plug ... ..	1	
	32753409 Shaft, water pump drive ... ..	1	} Prior to Eng. No. 2600393 Obsolete—Use 32753411/ 33426508 Eng. No. 2600393 onwards
5 32753411*	Shaft, water pump drive ... ..	1	
6 0040057*	Bearing, water pump ... ..	2	
7 0330875*	Distance-piece, water pump bearing ... ..	1	
8 0170046*	Circlip, water pump bearing locating ... ..	1	
9 0380098*	Housing, water pump bearing front seal ... ..	1	
10 0730046*	Seal, water pump bearing—Front ... ..	1	
11 0380164*	Plate, water pump bearing—Front seal retaining ... ..	1	
12 32274	Seal, water pump impeller—Rear ... ..	1	Obsolete—Use 2415207
	2415207* Seal, water pump impeller—Rear ... ..	1	Alternative 2415208
13 0460035*	Impeller, water pump ... ..	1	
14 31146402	Pulley, water pump ... ..	1	Obsolete—Use 31146911
15 33426508	Hub, water pump pulley ... ..	1	Used only with 32753411
	31146911 Pulley, water pump ... ..	1	
	33426507 Hub, water pump pulley ... ..	1	Used only with 32753409
16 0576103	Nut, water pump pulley retaining ... ..	1	Alternative 0574210
17 0920007	Washer, water pump pulley retaining nut ... ..	1	
18 32155117	Setscrew, water pump body to cylinder head ... ..	1	
19 0920155	Washer, water pump body setscrew ... ..	1	
20 0900043	Sleeve, water pump ... ..	1	
21 36236706	Plate, water pump mounting ... ..	1	
22 36866711	Joint, water pump body to mounting plate ... ..	1	
23 0746052	Setscrew, mounting plate to water pump body ... ..	3	
24 0920103	Washer, mounting plate setscrew ... ..	3	
25 0490024	Joint, water pump mounting plate to cylinder head ... ..	1	
26 0746052	Setscrew, water pump mounting plate to cylinder head ... ..	5	Replace 0746152
27 0920052	Washer, water pump mounting plate setscrew ... ..	5	
28 0096441	Setscrew, water pump body to cylinder head—Long ... ..	1	
29 0096439	Setscrew, water pump body to cylinder head ... ..	1	
30 0920155	Washer, water pump body setscrew ... ..	2	
	CONNECTION, WATER PUMP OUTLET ... ..		Quote Engine Number
31 0490184	Joint, water pump outlet connection ... ..	1	
32 0826419	Stud, water pump body to outlet connection ... ..	2	
33 0576051	Nut, water pump outlet connection retaining ... ..	2	
34 0920054	Washer, water pump outlet connection retaining nut ... ..	2	
35 32550	Thermostat ... ..	1	
36 34824404	Hose, water pump outlet to cylinder block water inlet connection ... ..	1	
37 0180067	Clip, water connection hose ... ..	2	
	BELT, WATER PUMP AND DYNAMO DRIVE ... ..		See Section 'J'
58307	WATER PUMP REPAIR KIT WITH BEARINGS INCLUDES ITEMS MARKED *	1	
58308	WATER PUMP REPAIR KIT LESS BEARINGS ... ..	1	

**IMPORTANT**  
Always quote Engine Number when ordering Parts  
**FIT ONLY GENUINE PERKINS PARTS**



SECTION "I"

Fuel Oil Injection Equipment

Plate Ref.	Part No.	Description	Qty.	Remarks
	<b>32589</b>	LIFT PUMP, FUEL OIL (ASSEMBLY) ... ..	1	} Prior to Eng. No. 2609350 } Obsolete—Use 2641345/0826251
	<b>2641345</b>	LIFT PUMP, FUEL OIL (ASSEMBLY) ... ..	1	
		Comprising:—		
	<b>32597</b>	HOUSING, LIFT PUMP INLET & OUTLET VALVE (ASSEMBLY) ... ..	1	
1	0240731	Housing, lift pump inlet and outlet valve ... ..	1	} Comprise } 32597
2	32517	Valve, lift pump inlet and outlet ... ..	2	
3	0490559	Joint, lift pump inlet and outlet to housing ... ..	1	
4	0910058	Plate, lift pump inlet and outlet valve retaining ... ..	1	
5	0720708	Screw, lift pump valve retaining plate to housing ... ..	2	
6	0995260	Bowl, lift pump inlet filter sediment—Glass ... ..	1	
7	0490538	Joint, sediment bowl to lift pump valve housing ... ..	1	
8	30428	Stirrup, sediment bowl to lift pump valve housing retaining ... ..	1	
9	0800044	Filter-screen, lift pump inlet gauze ... ..	1	
10	0720709	Screw, lift pump inlet and outlet valve to body ... ..	6	
11	0921018	Washer, lift pump inlet and outlet valve housing screw ... ..	6	
12	2641491	Diaphragm, lift pump ... ..	1	Replaces 32518
13	0780224	Spring, lift pump diaphragm return ... ..	1	
14	0520368	Lever, lift pump diaphragm operating ... ..	1	Used only with 32589
	0520580	Lever, lift pump diaphragm operating ... ..	1	Used only with 2641345
15	0520528	Rocker arm, lift pump actuating ... ..	1	
16	0780225	Spring, lift pump actuating rocker arm return ... ..	1	
17	0610847	Pin, lift pump actuating rocker arm and diaphragm operating lever ... ..	1	
18	0921019	Washer, lift pump actuating rocker arm and diaphragm operating lever ... ..	2	
19	26410006	Retainer, lift pump actuating rocker arm and diaphragm operating lever pin ... ..	2	
20	32573	Body, lift pump c/w priming lever and spring ... ..	1	Used only with 32589
	26410047	Body, lift pump c/w priming lever and spring ... ..	1	Used only with 2641345
21	0730128	Oil seal, lift pump body ... ..	1	
22	0997129	Retainer, lift pump body oil seal ... ..	1	
23	36862126	Joint, fuel oil lift pump to cylinder block ... ..	2	Replace 0490547
24	0826251	Stud, fuel oil lift pump to cylinder block ... ..	2	Replace 0826222
25	33221115	Nut, fuel oil lift pump retaining ... ..	2	Replace 0576102
26	0920053	Washer, fuel oil lift pump retaining nut ... ..	2	
27	33533112	Nut, fuel oil pipe } To Lift Pump ... ..	1	}
28	0566003	Olive, fuel oil pipe } Inlet Port ... ..	1	
	<b>34522125</b>	PIPE, FUEL OIL—LIFT PUMP TO FILTER ... ..	1	Prior to Eng. No. 2601108
29	<b>3535821</b>	PIPE, FUEL OIL—LIFT PUMP TO FILTER ... ..	1	Eng. No. 2601108 onwards
	0571346	Nut, fuel oil pipe } To Lift Pump ... ..	1	} Used only with 34522125
	0566004	Olive, fuel oil pipe } ... ..	1	
	0201500	Banjo, fuel oil pipe ... ..	1	
	0095031	Bolt, fuel oil pipe banjo ... ..	1	
	0920154	Washer, fuel oil pipe banjo bolt } To Filter ... ..	2	
	0576113	Nut, fuel oil pipe ... ..	1	
	0566004	Olive, fuel oil pipe ... ..	1	
30	33533112	Nut, fuel oil pipe ... ..	2	
31	0566003	Olive, fuel oil pipe ... ..	2	

**IMPORTANT**  
Always quote Engine Number when ordering Parts  
**FIT ONLY GENUINE PERKINS PARTS**

SECTION "I" Continued

Fuel Oil Injection Equipment

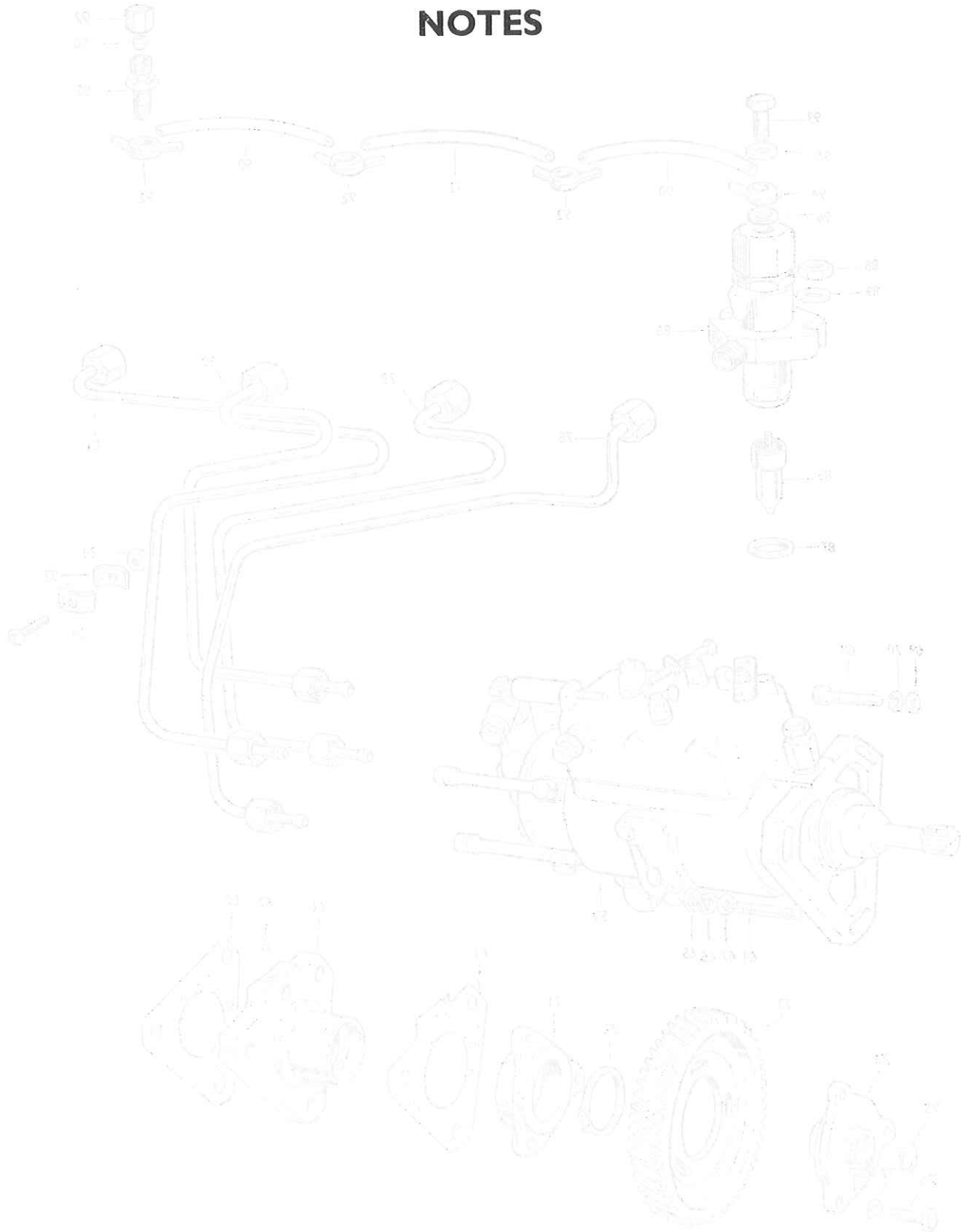
Plate Ref. No.	Part Description	Qty.	Remarks
*35532	FILTER, FUEL OIL (ASSEMBLY) (TYPE F4B/2)	1	Prior to Eng. No. 2601108
2656653	FILTER, FUEL OIL (ASSEMBLY) (TYPE 7961090)	1	Eng. No. 2601108 onwards
	Comprising:—		
26560006	COVER, FUEL OIL FILTER (ASSEMBLY)	1	
32 26560007	Cover, fuel oil filter—bare	1	
33 0490520	Joint, fuel oil filter cover to container	1	
34 26560003	Seal, fuel oil filter element seating	1	
35 0650702	Plug, fuel oil filter cover	1	} Comprise 26560006
36 0921080	Washer, fuel oil filter cover plug	1	
37 0095292	Bolt, fuel oil filter cover to container	1	
38 0921079	Washer, fuel oil filter cover to container bolt	1	
39 32543	ELEMENT, FUEL OIL FILTER	1	
40 26560008	CONTAINER, FUEL OIL FILTER ELEMENT (ASSEMBLY)	1	
41 26560010	Joint, fuel oil filter element pressure spring	1	} Included in 26560008
42 26560009	Washer, fuel oil filter element pressure spring	1	
43 26560004	Spring, fuel oil filter element pressure	1	
0826443	Stud, fuel oil filter to cylinder block	3	Used only with 35532
44 0826409	Stud, fuel oil filter to cylinder block	2	Used only with 2656653
45 0576051	Nut, fuel oil filter retaining	2	} 3 off each used with 0826443
46 0920054	Washer, fuel oil filter retaining nut	2	
47 33423	Non-return valve, fuel oil filter overflow	1	} Eng. No. 2601108 onwards
48 0920146	Washer, non-return valve	1	
0623754	PIPE, FUEL OIL—FILTER TO FUEL PUMP	1	} List No's. 187 and 188 only
49 35351412	PIPE, FUEL OIL—FILTER TO FUEL PUMP	1	
35353177	PIPE, FUEL OIL—FILTER TO FUEL PUMP	1	} List No's. 189 and 190 only
35353207	PIPE, FUEL OIL—FILTER TO FUEL PUMP	1	
33555319	Union, fuel oil pipe	1	} Used only with 0623754
0920154	Washer, fuel oil pipe union	1	
0576113	Nut, fuel oil pipe	1	
0566004	Olive, fuel oil pipe	1	
50 0566003	Olive, fuel oil pipe	2	
51 33533112	Nut, fuel oil pipe	2	} Used only with 35351412/ 35353177/35353207
0623723	PIPE, FUEL OIL—FUEL PUMP TO FILTER RETURN	1	
52 35355805	PIPE, FUEL OIL—FUEL PUMP TO FILTER RETURN	1	} List No's. 187 and 188 only
35355807	PIPE, FUEL OIL—FUEL PUMP TO FILTER RETURN	1	
35355837	PIPE, FUEL OIL—FUEL PUMP TO FILTER RETURN	1	} List No's. 189 and 190 only
33555319	Union, fuel oil pipe	1	
0920154	Washer, fuel oil pipe union	1	} Used only with 0623723
0576113	Nut, fuel oil pipe	1	
0566004	Olive, fuel oil pipe	1	
53 0566003	Olive, fuel oil pipe	2	
54 33533112	Nut, fuel oil pipe	2	
55 0623778	PIPE, FILTER OVERFLOW CONNECTION TO NO. 4 ATOMISER LEAK-OFF BANJO	1	
0999253	Connection, fuel oil—Filter leak-off banjo	1	Prior to Eng. No. 2601108
56 31721211	Connection, fuel oil—Filter leak-off banjo	1	Eng. No. 2601108 onwards
57 0095344	Bolt, fuel oil—Filter leak-off banjo	1	
58 0920146	Washer, fuel oil—Filter leak-off banjo bolt	2	

NOTE:—

\*Component Parts supplied by Messrs. C.A.V. Ltd.

**IMPORTANT**  
Always quote Engine Number when ordering Parts  
**FIT ONLY GENUINE PERKINS PARTS**

# NOTES



**IMPORTANT**  
Always quote Engine Number when ordering Parts  
**FIT ONLY GENUINE PERKINS PARTS**



SECTION "I" Continued

Fuel Oil Injection Equipment

Plate Ref.	Part No.	Description	Qty.	Remarks
59	*36394	PUMP, FUEL INJECTION (ASSEMBLY) C/W THROTTLE AND STOP CONTROL LEVERS (TYPE 3243021A)	1	List No's. 187 and 188 only (Replaces 36020/36319)
	*36030	PUMP, FUEL INJECTION (ASSEMBLY) C/W THROTTLE AND STOP CONTROL LEVERS (TYPE 3246375)	1	Prior to Eng. No. 2603732 Obsolete—Use 36143
	*36143	PUMP, FUEL INJECTION (ASSEMBLY) C/W THROTTLE AND STOP CONTROL LEVERS (TYPE 3246376)	1	List No's. 189 and 190 only See Note** Eng. No. 2603732 to 2611736
	0650756	Plug, fuel pump	1	Obsolete—Use 36463
	*36463	PUMP, FUEL INJECTION (ASSEMBLY) C/W THROTTLE AND STOP CONTROL LEVERS (TYPE 3246817)	1	Engine No. 2611737 onwards
60	0490685	Joint, fuel pump to carrier	1	
61	0450036	Carrier, fuel pump and drive gear	1	
62	0650599	Plug, fuel pump and drive gear carrier	1	
63	0490706	Joint, fuel pump and drive gear carrier to timing gear housing	1	
64	0827609	Stud, fuel pump and drive gear carrier to timing gear housing	2	Also detailed on Section 'F'
65	0576002	Nut, fuel pump and drive gear carrier retaining	2	
66	0920053	Washer, fuel pump and drive gear carrier retaining nut	2	
67	0920003	Washer, fuel pump and drive gear carrier retaining nut	2	
68	0720844	Capscrew, fuel pump and drive gear carrier to timing gear housing	1	Innermost hole
69	0920003	Washer, fuel pump and drive gear carrier capscrew—Plain	1	
70	0920053	Washer, fuel pump and drive gear carrier capscrew—Spring	1	
71	0450034	HUB, FUEL PUMP DRIVE GEAR	1	
72	0170044	Circlip, fuel pump drive gear hub retaining	1	
73	0410232	Gear, fuel pump	1	
74	0940868	Adaptor, fuel pump gear	1	Obsolete—Use 37427443
	37427443	Adaptor, fuel pump gear	1	
75	0170129	Circlip, fuel pump gear adaptor	1	
76	0746256	Setscrew, fuel pump gear and adaptor to drive gear hub	3	
77	0920053	Washer, fuel pump gear and adaptor setscrew	3	
	57494	PIPES, FUEL INJECTION (ASSEMBLY)	1	List No's. 187 and 188 only
		Comprising:—		
78	35355183	Pipe, fuel injection c/w nuts and olives No. 1 Cylinder	1	
79	35355184	Pipe, fuel injection c/w nuts and olives No. 2 Cylinder	1	
80	35355185	Pipe, fuel injection c/w nuts and olives No. 3 Cylinder	1	
81	35355186	Pipe, fuel injection c/w nuts and olives No. 4 Cylinder	1	
	57569	PIPES, FUEL INJECTION (ASSEMBLY)	1	List No's. 189 and 190 only— Prior to Eng. No. 2603732
		Comprising:—		
	35355181	Pipe, fuel injection c/w nuts and olives No. 1 Cylinder	1	
	35355179	Pipe, fuel injection c/w nuts and olives No. 2 Cylinder	1	
	35355182	Pipe, fuel injection c/w nuts and olives No. 3 Cylinder	1	
	35353159	Pipe, fuel injection c/w nuts and olives No. 4 Cylinder	1	
	81669	PIPES, FUEL INJECTION (ASSEMBLY)	1	List No's. 189 and 190 only. Eng. No. 2603732 onwards
		Comprising:—		
	35355237	Pipe, fuel injection c/w nuts and olives No. 1 Cylinder	1	
	35355238	Pipe, fuel injection c/w nuts and olives No. 2 Cylinder	1	
	35355239	Pipe, fuel injection c/w nuts and olives No. 3 Cylinder	1	
	35355241	Pipe, fuel injection c/w nuts and olives No. 4 Cylinder	1	
82	0180637	Clip, fuel injection pipe clamping	6	List No's. 187 and 188 only
83	0726264	Bolt, fuel injection pipe clip clamping	3	
84	0571350	Nut, fuel injection pipe clip clamping bolt	3	

IMPORTANT

Always quote Engine Number when ordering Parts

FIT ONLY GENUINE PERKINS PARTS



SECTION "I" Continued

Fuel Oil Injection Equipment

Plate Ref. No.	Part No.	Description	Qty.	Remarks
0180574		Clip, fuel injection pipes clamping (Clips 2, 3, and 4 injection pipes together) ... ..	2	} List No's. 189 and 190 only
0180637		Clip, fuel injection pipes clamping (Clips 1 and 2 injection pipes together) ... ..	2	
0726264		Bolt, fuel injection pipe clip clamping ... ..	3	
0571350		Nut, fuel injection pipe clip clamping bolt ... ..	3	
2646144		ATOMISER, FUEL OIL INJECTION (ASSEMBLY) (DESPATCH NO. 5307201) ... ..	4	List No's. 187 and 188 only
		Comprising:—		
85	*31990	Nozzle, fuel injection atomiser ... ..	4	
86	*2646442	Holder, fuel injection atomiser ... ..	4	
87	0920113	Washer, fuel injection atomiser ... ..	4	
0999603		ATOMISER, FUEL OIL INJECTION (ASSEMBLY) (DESPATCH NO. 5307001) ... ..	4	List No's. 189 and 190 only
		Comprising:—		
	*35504	Nozzle, fuel injection atomiser ... ..	4	
	*33497	Holder, fuel injection atomiser ... ..	4	
	0920113	Washer, fuel injection atomiser ... ..	4	
		Stud, fuel injection atomiser to cylinder head ... ..		See Section 'A'
88	0576051	Nut, fuel injection atomiser retaining ... ..	8	
89	0920004	Washer, fuel injection atomiser retaining nut ... ..	8	
90	0623769	PIPE, FUEL INJECTION ATOMISER LEAK-OFF ... ..	2	} From No. 1 to No. 2 and No. 3 to No. 4 Atomisers
91	0623777	PIPE, FUEL INJECTION ATOMISER LEAK-OFF ... ..	1	
92	0201520	Connection, fuel injection atomiser leak-off pipe ... ..	3	
93	0095315	Bolt, leak-off pipe connection to atomiser ... ..	3	
94	0201521	Connection, fuel injection atomiser leak-off pipe ... ..	1	For No. 1 Atomiser
95	0201526	Bolt, leak-off pipe banjo connection to atomiser ... ..	1	} Fitted in No. 4 Atomiser holder
96	0920107	Washer, leak-off pipe banjo connection bolt ... ..	8	
97	0576111	Nut, leak-off pipe connection ... ..	1	} For return pipe
98	0566002	Olive, leak-off pipe connection ... ..	1	

NOTE:—

\*Component Parts supplied by Messrs. C.A.V. Ltd.

\*\*Fuel Injection Pump 36143 replaces 36930 for Engines prior to Eng. No. 2603732 on List No's. 189 and 190 providing Pipes 81669/35353207/35355837 are also fitted.

**IMPORTANT**  
Always quote Engine Number when ordering Parts  
**FIT ONLY GENUINE PERKINS PARTS**



## NOTES



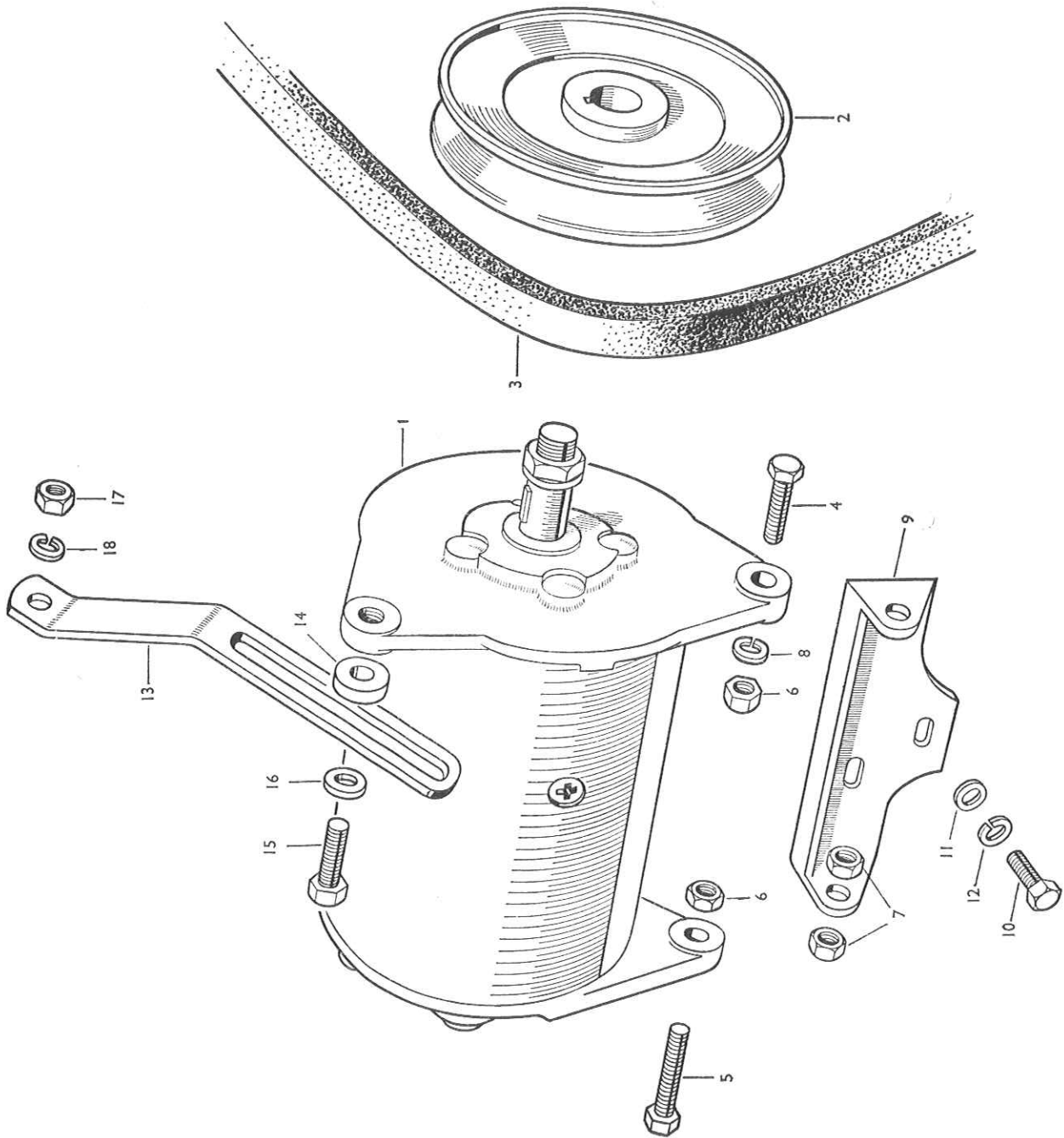
---

### IMPORTANT

Always quote Engine Number when ordering Parts

**FIT ONLY GENUINE PERKINS PARTS**

NOTES



PERKINS 4.2L ENGINE PLATE "J" PARTS LIST

SECTION "J"

**Electrical Equipment**  
(List Nos. 187 & 189 Only)

Plate Ref.	Part No.	Description	Qty.	Remarks
1		DYNAMO C/W NUT AND KEY (TYPE C39P2—DESPATCH NO. 22259E) ... ..	1	Prior to Eng. No. 2607236— Serviced directly by Messrs. J. Lucas Ltd.
	2871170	DYNAMO C/W NUT AND KEY (TYPE C40A—DESPATCH NO. 22703) ... ..	1	
2	31141408	Pulley, dynamo drive ... ..	1	Eng. No. 2607236 onwards
3	2612421	Belt, dynamo and water pump drive ... ..	1	
4	0746357	Bolt, dynamo to support bracket—Front ... ..	1	
5	0746259	Bolt, dynamo to support bracket—Rear ... ..	1	Prior to Eng. No. 2607236
	0746260	Bolt, dynamo to support bracket—Rear ... ..	1	Eng. No. 2607236 onwards
6	0576002	Nut, dynamo retaining ... ..	2	
7	0576151	Locknut, dynamo and support bracket securing ... ..	2	
8	0920053	Washer, dynamo retaining nut—Spring ... ..	2	1 off prior to Eng. No. 2607236
	0920497	Washer, dynamo retaining nut—Plain ... ..	3	2 off prior to Eng. No. 2607236
9	38164423	BRACKET, DYNAMO SUPPORT ... ..	1	
10	0748414	Setscrew, dynamo support bracket to timing gear housing ... ..	2	
11	0920003	Washer, dynamo support bracket setscrew—Plain ... ..	2	
12	0920053	Washer, dynamo support bracket setscrew—Spring ... ..	2	
13	36542318	LEVER, DYNAMO ADJUSTING ... ..	1	Prior to Eng. No. 2607236
	36545117	LEVER, DYNAMO ADJUSTING ... ..	1	Eng. No. 2607236 onwards
14	33134418	Distance-piece, dynamo adjusting lever to dynamo ... ..	1	
15	0745045	Setscrew, dynamo adjusting lever to dynamo ... ..	1	
16	0920497	Washer, dynamo adjusting lever setscrew ... ..	1	Replaces 0920003
		Stud, dynamo adjusting lever to timing gear housing front cover ... ..	1	See Section 'F'
17	0576002	Nut, dynamo adjusting lever retaining ... ..	1	
18	0920053	Washer, dynamo adjusting lever retaining nut—Spring ... ..	1	

**IMPORTANT**  
Always quote Engine Number when ordering Parts  
**FIT ONLY GENUINE PERKINS PARTS**

SECTION "J" Continued

**Electrical Equipment**  
**(List Nos. 188 & 190 Only)**

PRIOR TO ENGINE NUMBER 2607236

Plate Ref. No.	Part No.	Description	Qty.	Remarks
		DYNAMO C/W NUT AND KEY (TYPE C39P2 DESPATCH NO. 22259E) ... ..	1	Serviced directly by Messrs. J. Lucas Ltd.
31141408		Pulley, dynamo ... ..	1	
0070111		Belt, dynamo and water pump drive ... ..	1	Replaces 0070112
0746357		Bolt, dynamo to support bracket—Front ... ..	1	
0746259		Bolt, dynamo to support bracket—Rear ... ..	1	
0576002		Nut, dynamo retaining ... ..	2	
0576151		Locknut, dynamo and support bracket securing ... ..	2	
0920053		Washer, dynamo retaining nut—Spring ... ..	1	
0920497		Washer, dynamo retaining nut—Plain ... ..	1	
38164424		BRACKET, DYNAMO SUPPORT ... ..	1	
0746254		Setscrew, dynamo support bracket to cylinder block ... ..	1	
0748413		Setscrew, dynamo support bracket to timing gear housing ... ..	2	
0920003		Washer, dynamo support bracket setscrew—Plain ... ..	3	
0920053		Washer, dynamo support bracket setscrew—Spring ... ..	3	
36541418		LEVER, DYNAMO ADJUSTING ... ..	1	Prior to Eng. No. 2601069. Obsolete—Use 36541426
36541426		LEVER, DYNAMO ADJUSTING ... ..	1	Eng. No. 2601069 onwards
0745045		Setscrew, dynamo adjusting lever to dynamo ... ..	1	
0920497		Washer, dynamo adjusting lever setscrew ... ..	2	
		Stud, dynamo adjusting lever to timing gear housing front cover ... ..		See Section 'F'
0576002		Nut, dynamo adjusting lever retaining ... ..	1	
0920053		Washer, dynamo adjusting lever retaining nut—Spring ... ..	1	

**LIST No's. 188 AND 190 ONLY**  
**ENGINE NUMBER 2607236 ONWARDS**

†2871170		DYNAMO C/W NUT AND KEY (TYPE C40A—DESPATCH NO. 22703) ... ..	1	
31141417		Pulley, dynamo ... ..	1	
0070113		Belt, dynamo and water pump drive ... ..	1	
0746257		Bolt, dynamo to support bracket ... ..	2	
0576002		Nut, dynamo retaining ... ..	2	
0920053		Washer, dynamo retaining nut—Spring ... ..	2	
0920497		Washer, dynamo retaining nut—Plain ... ..	2	
36513707		BRACKET, DYNAMO SUPPORT ... ..	1	
0746255		Setscrew, dynamo support bracket to cylinder block ... ..	1	
0748414		Setscrew, dynamo support bracket to timing gear housing ... ..	1	
0920003		Washer, dynamo support bracket setscrew—Plain ... ..	2	
0920053		Washer, dynamo support bracket setscrew—Spring ... ..	2	
36545118		LEVER, DYNAMO ADJUSTING ... ..	1	
0745045		Setscrew, dynamo adjusting lever to dynamo ... ..	1	
0920497		Washer, dynamo adjusting lever setscrew ... ..	2	

Note:—

†Component Parts supplied by Messrs J. Lucas Ltd.

**IMPORTANT**  
Always quote Engine Number when ordering Parts  
**FIT ONLY GENUINE PERKINS PARTS**

SECTION "K"

**Joints and Gaskets**

Part No.	Description	Qty.	Remarks
<b>LIST No. 187 ONLY</b>			
57935	JOINTS AND GASKETS ... ..	... 1	Set
	JOINT, WATER PUMP MOUNTING PLATE TO	} Complete ... Engine ... Set ...	See Section 'H'
	TIMING GEAR HOUSING FRONT COVER ...		
	JOINT, TIMING GEAR HOUSING HYDRAULIC		
	PUMP FACING COVER TO HOUSING ...	... 1	See Section 'F'
57934	JOINTS AND GASKETS—REMOVAL OF HEAD	... 1	Set
<b>LIST No. 188 ONLY</b>			
57932	JOINTS AND GASKETS—COMPLETE ENGINE SET ...	... 1	
57931	JOINTS AND GASKETS—REMOVAL OF HEAD ...	... 1	Set
<b>LIST No. 189 ONLY</b>			
57935	JOINTS AND GASKETS ... ..	} Complete ... Engine ... Set ...	1 Set See Section 'H'
	JOINT, WATER PUMP MOUNTING PLATE TO		
	TIMING GEAR HOUSING FRONT COVER ...		
57934	JOINTS AND GASKETS—REMOVAL OF HEAD	... 1	Set
<b>LIST No. 190 ONLY</b>			
80074	JOINTS AND GASKETS—COMPLETE ENGINE SET	... 1	
80075	JOINTS AND GASKETS—REMOVAL OF HEAD ...	... 1	Set
<b>LIST No's. 187, 188, 189, 190</b>			
57930	JOINTS—REMOVAL OF SUMP ... ..	... 1	Set

187/188/189/190/CMC/9953

**IMPORTANT**  
Always quote Engine Number when ordering Parts  
**FIT ONLY GENUINE PERKINS PARTS**

# NOTES

Part No.	Description	Part No.	Description
1000	...	1000	...
1001	...	1001	...
1002	...	1002	...
1003	...	1003	...
1004	...	1004	...
1005	...	1005	...
1006	...	1006	...
1007	...	1007	...
1008	...	1008	...
1009	...	1009	...
1010	...	1010	...
1011	...	1011	...
1012	...	1012	...
1013	...	1013	...
1014	...	1014	...
1015	...	1015	...
1016	...	1016	...
1017	...	1017	...
1018	...	1018	...
1019	...	1019	...
1020	...	1020	...

**IMPORTANT**  
Always quote Engine Number when ordering Parts  
**FIT ONLY GENUINE PERKINS PARTS**

## Numerical Index

Part No.	Page	Part No.	Page	Part No.	Page	Part No.	Page
30399	.. .. 19	58740	.. .. 31	0201467	.. .. 27	0520429	.. .. 17
30428	.. .. 35	59617	.. .. 13	0201493	.. .. 6	0520430	.. .. 17
30476	.. .. 17	59635	.. .. 14	0201500	.. .. 35	0520528	.. .. 35
31419	.. .. 5	59930	.. .. 33	0201520	.. .. 40	0520580	.. .. 35
31990	.. .. 40	80074	.. .. 45	0201521	.. .. 40	0540175	.. .. 10
32274	.. .. 33	80075	.. .. 45	0201526	.. .. 40	0560244	.. .. 25
32517	.. .. 35	81219	.. .. 22	0230001	.. .. 9	0566002	17, 19, 27, 28, 40
32518	.. See 2641491	81565	.. .. 14	0240731	.. .. 35	0566003	.. 27, 35, 36
32528	.. .. 27	81669	.. .. 39	0240765	.. .. 5	0566004	.. .. 35, 36
32529	.. .. 27	81869	.. .. 14	0320105	.. .. 25	0571095	.. .. 19
32543	.. .. 36	81870	.. .. 14	0330510	.. .. 17	0571099	.. .. 19
32546	.. .. 19	82133	.. .. 14	0330517	.. .. 17	0571346	.. .. 35
32547	.. .. 19	82210	.. .. 22	0330875	.. .. 33	0571350	.. .. 39, 40
32548	.. .. 19	82611	.. .. 9	0330927	.. .. 31	0571351	.. .. 17
32549	.. .. 19	0020011	.. .. 27	0330934	.. .. 13	0574211	.. .. 6
32550	.. 10,33	0040057	.. .. 31, 33	0340025	.. .. 13	0576001	.. .. 9
32573	.. .. 35	0050119	.. .. 14	0350017	.. .. 21	0576002	6, 21, 25, 39, 43, 44
32589	.. .. 35	0050344	.. .. 25	0380098	.. .. 31, 33	0576030	.. .. 10
32591	.. .. 27	0050345	.. .. 21	0380164	.. .. 31, 33	0576031	.. .. 10
32597	.. .. 35	0070111	.. .. 44	0410228	.. .. 13	0576051	9, 10, 21, 27, 31, 33, 36, 40
32598	.. .. 27	0070113	.. .. 44	0410231	.. .. 21	0576052	.. .. 9
33423	.. .. 36	0095031	.. .. 35	0410232	.. .. 39	0576054	.. .. 9
33497	.. .. 40	0095250	.. .. 14	0420002	.. .. 9	0576102	.. .. 17
33841	.. See 32550	0095292	.. .. 36	0450034	.. .. 39	0576103	.. .. 31, 33
35254	.. .. 19	0095315	.. .. 40	0450035	.. .. 21	0576104	.. .. 17
35289	.. .. 27	0095344	.. .. 36	0450036	.. .. 39	0576111	19, 27, 28, 40
35504	.. .. 40	0095345	.. .. 21	0460035	.. .. 33	0576112	.. .. 27
35532	.. .. 36	0095350	.. .. 27, 28	0470622	.. .. 27	0576113	.. .. 35, 36
36020	.. See 36394	0096235	.. .. 10	0490019	.. .. 25	0576151	.. .. 43, 44
36030	.. .. 39	0096236	.. .. 6	0490023	.. .. 9	0610011	.. .. 25
36143	.. .. 39	0096238	.. .. 25	0490024	.. .. 33	0610516	.. .. 14
36319	.. See 36394	0096243	.. .. 6	0490032	.. .. 10	0610847	.. .. 35
36394	.. .. 39	0096435	.. .. 31	0490042	.. .. 19	0610904	.. .. 21
36463	.. .. 39	0096439	.. .. 33	0490044	.. .. 10	0623402	.. .. 27
52703	.. .. 17	00096441	.. .. 33	0490115	.. .. 9	0623723	.. .. 36
52813	.. .. 14	0096446	.. .. 27	0490184	.. .. 10, 33	0623754	.. .. 36
54361	.. .. 6	0096640	.. .. 19	0490188	.. .. 19	0623769	.. .. 40
55437	.. .. 17	0101138	.. .. 17	0490189	.. .. 19	0623777	.. .. 40
55778	.. .. 14	0140034	.. .. 21	0490226	.. .. 19	0623778	.. .. 36
55779	.. See 59635	0150008	.. .. 9	0490485	.. .. 9	0630082	.. .. 25
57494	.. .. 39	0150144	.. .. 25	0490514	.. .. 27	0640134	.. .. 14
57539	.. .. 22	0170001	.. .. 14	0490520	.. .. 27, 36	0640135	.. .. 14
57563	.. .. 5	0170033	.. .. 17	0490538	.. .. 35	0640136	.. .. 14
57569	.. .. 39	0170044	.. .. 39	0490547	.. See 36862126	0640144	.. .. 25
57578	.. .. 21	0170046	.. .. 31, 33	0490559	.. .. 35	0650203	.. .. 10, 33
57594	.. .. 22	0170129	.. .. 39	0490579	.. .. 19	0650507	.. .. 17
57930	.. .. 45	0180066	.. .. 10	0490595	.. .. 27	0650540	10, 25, 31, 33
57931	.. .. 45	0180067	.. .. 31, 33	0490609	.. .. 19	0650566	.. .. 5
57932	.. .. 45	0180116	.. .. 19	0490628	.. .. 6	0650590	.. .. 9
57934	.. .. 45	0180574	.. .. 40	0490685	.. .. 39	0650593	.. .. 5
57935	.. .. 45	0180637	.. .. 39, 40	0490692	.. .. 6	0650594	.. .. 5
58307	.. .. 33	0180831	.. .. 25	0490699	.. .. 5	0650599	.. .. 39
58308	.. .. 33	0200080	.. .. 10	0490701	.. .. 10	0650685	.. .. 9
58400	.. .. 9	0201373	.. .. 6	0490704	.. .. 17	0650690	.. .. 27
58704	.. .. 13	0201397	.. .. 27	0490706	.. .. 39		
58705	.. .. 14	0201398	.. .. 28	0500168	.. .. 13		
58739	.. .. 31	0201399	.. .. 27	0520368	.. .. 35		

**IMPORTANT**

Always quote Engine Number when ordering Parts

**FIT ONLY GENUINE PERKINS PARTS**

## Numerical Index

Part No.	Page	Part No.	Page	Part No.	Page	Part No.	Page
0650702	36	0780312	25	0920849	See 31137191	31121221	13
0650710	5	0800044	35	0920849A	See 31137192	31121231	See 31121221
0650738	5	0825241	9	0921018	35	31122311	13
0650756	39	0825258	9	0921019	35	31122321	13
0690061	22	0826002	9	0921061	27	31122331	See 31122321
0720677	9	0826203	6	0921079	36	31122341	See 31122311
0720708	35	0826232	9	0921080	36	31123241	13
0720709	35	0826251	35	0921108	5	31123251	See 31123241
0720844	39	0826408	10	0921168	21	31123261	See 31123271
0726264	39, 40	0826409	36	0921241	25	31123271	13
0730046	31, 33	0826419	10, 33	0921246	21	31131171	14
0730080	6	0826425	27	0921337	17	31131191	See 31131171
0730103	27	0826434	21	0930001	21	31134119	5
0730104	27	0826443	36	0940192	9	31137171	See 31137201
0730128	35	0826466	9	0940868	39	31137172	See 31137202
0745045	43, 44	0826475	21	0941081	21	31137191	13
0745105	5	0826476	27	0941082	21	31137192	13
0746051	25	0826479	9	0941083	9	31137201	13
0746052	9, 10, 33	0826622	5	0941091	21	31137202	13
0746053	10	0826624	5	0941118	9	31141408	43, 44
0746054	10	0827604	22	0990572	28	31141417	44
0746251	5	0827609	21, 39	0994748	17	31143675	13
0746253	5	0827613	21	0994967	25	31146402	33
0746254	21, 25, 44	0827614	21	0995260	35	31146701	31
0746255	6, 22, 44	0827812	31	0997129	35	31146702	31
0746256	39	0840052	27	0997282	14	31146911	33
0746257	22, 44	0860012	9	0999253	36	31148615	13
0746259	43, 44	0870001	5	0999603	40	31315134	13
0746260	43	0900043	33	2211155	14	31315137	13
0746354	6	0910002	9	2227063	22	31358308	5
0746355	21	0910058	35	2411152	22	31362271	14
0746357	43, 44	0920002	19	2411157	10, 33	31365181	14
0746451	5	0920003	10, 39, 43, 44	2414111	22	31366511	14
0746452	9	0920004	10, 17, 40	2415207	31, 33	31366521	14
0746453	9	0920006	9	2415208	See 2415207	31372171	14
0746454	27	0920007	31, 33	2612421	43	31377201	14
0746455	10	0920052	9, 10, 25, 33	2641345	35	31431261	9
0746459	10	0920053	5, 6, 21, 22, 25, 35, 39, 43, 44	2641491	35	31721211	36
0748351	22	0920054	9, 10, 22, 27, 31, 33, 36	2646144	40	31733508	13
0748411	22	0920101	22	2646442	40	31747109	25
0748412	21	0920103	33	2656653	36	31812901	14
0748413	22, 44	0920106	5, 6, 10, 21, 22	2666102	See 2666103	31815519	17
0748414	22, 43, 44	0920107	40	2666103	19	32151113	22
0748415	22	0920108	25	26410006	35	32155117	33
0748416	21	0920109	5, 22, 31	26410047	35	32186112	22
0748418	21	0920113	40	26510005	19	32186114	22
0748521	31	0920126	27, 28	26510006	19	32524128	5
0748524	22	0920146	36	26510007	19	32524131	5
0748525	31	0920154	35, 36	26540022	27	32532306	21, 25
0750368	31	0920155	10, 33	26560003	36	32753409	33
0760001	17	0920299	6, 21, 25	26560004	36	32753411	33
0780006	9	0920336	25	26560006	35	32753412	31
0780007	9	0920497	17, 43, 44	26560007	35	32754411	5
0780009	17	0920500	19	26560008	36	32754414	5
0780224	35	0920516	9	26560009	36	33114118	6
0780225	35			26560010	36	33117118	5
0780243	27			2726194	5	33134418	43
				2871170	43, 44		

**IMPORTANT**  
Always quote Engine Number when ordering Parts  
**FIT ONLY GENUINE PERKINS PARTS**



## Numerical Index

Part No.	Page	Part No.	Page	Part No.	Page	Part No.	Page
33176308 .. ..	13	35355183 .. ..	39	36644139 .. ..	22	37447511 .. ..	31
33221115 .. ..	35	35355184 .. ..	39	36812113 .. ..	See 36812125	37534531 .. ..	21
33221312 .. ..	9	35355185 .. ..	39	36812125 .. ..	5	37556125 .. ..	21
33261723 .. ..	9	35355186 .. ..	39	36813117 .. ..	22	37556137 .. ..	22
33411107 .. ..	9	35355237 .. ..	39	36814112 .. ..	21	37556146 .. ..	21
33426507 .. ..	33	35355238 .. ..	39	36817134 .. ..	6	37711291 .. ..	31
33426508 .. ..	33	35355241 .. ..	39	36853105 .. ..	21	37712281 .. ..	33
33532121 .. ..	25	35355805 .. ..	36	36862119 .. ..	10	37725432 .. ..	25
33533112 .. ..	35, 36	35355807 .. ..	36	36862126 .. ..	35	37733191 .. ..	10
33555319 .. ..	36	35355821 .. ..	35	36865104 .. ..	31	37766321 .. ..	10
33825409 .. ..	22	35355837 .. ..	36	36866415 .. ..	31	37766322 .. ..	10
34417116 .. ..	28	35521144 .. ..	21	36866424 .. ..	21	37786563 .. ..	19
34421408 .. ..	27	35551503 .. ..	28	36866428 .. ..	21	37786573 .. ..	19
34522125 .. ..	35	35732446 .. ..	25	36866711 .. ..	33	38164423 .. ..	43
34715124 .. ..	25	36171114 .. ..	22	36884107 .. ..	25	38164424 .. ..	44
34821416 .. ..	31	36174115 .. ..	25	37161562 .. ..	21	38611108 .. ..	31
34824404 .. ..	33	36236706 .. ..	33	37167613 .. ..	22	41115004 .. ..	21
35351412 .. ..	36	36475706 .. ..	9	37167693 .. ..	22	41115005 .. ..	21
35353159 .. ..	39	36513707 .. ..	44	37167694 .. ..	22	41312038 .. ..	31
35353177 .. ..	36	36541418 .. ..	44	37171351 .. ..	25	41312064 .. ..	31
35353207 .. ..	36	36541426 .. ..	44	37188514 .. ..	17	41314019 .. ..	25
35355179 .. ..	39	36542318 .. ..	43	37354361 .. ..	21	41314033 .. ..	See 41314042
35355181 .. ..	39	36545117 .. ..	43	37416203 .. ..	9	41314042 .. ..	25
35355182 .. ..	39	36545118 .. ..	44	37427443 .. ..	39	41424201 .. ..	25

**IMPORTANT**

Always quote Engine Number when ordering Parts

**FIT ONLY GENUINE PERKINS PARTS**

